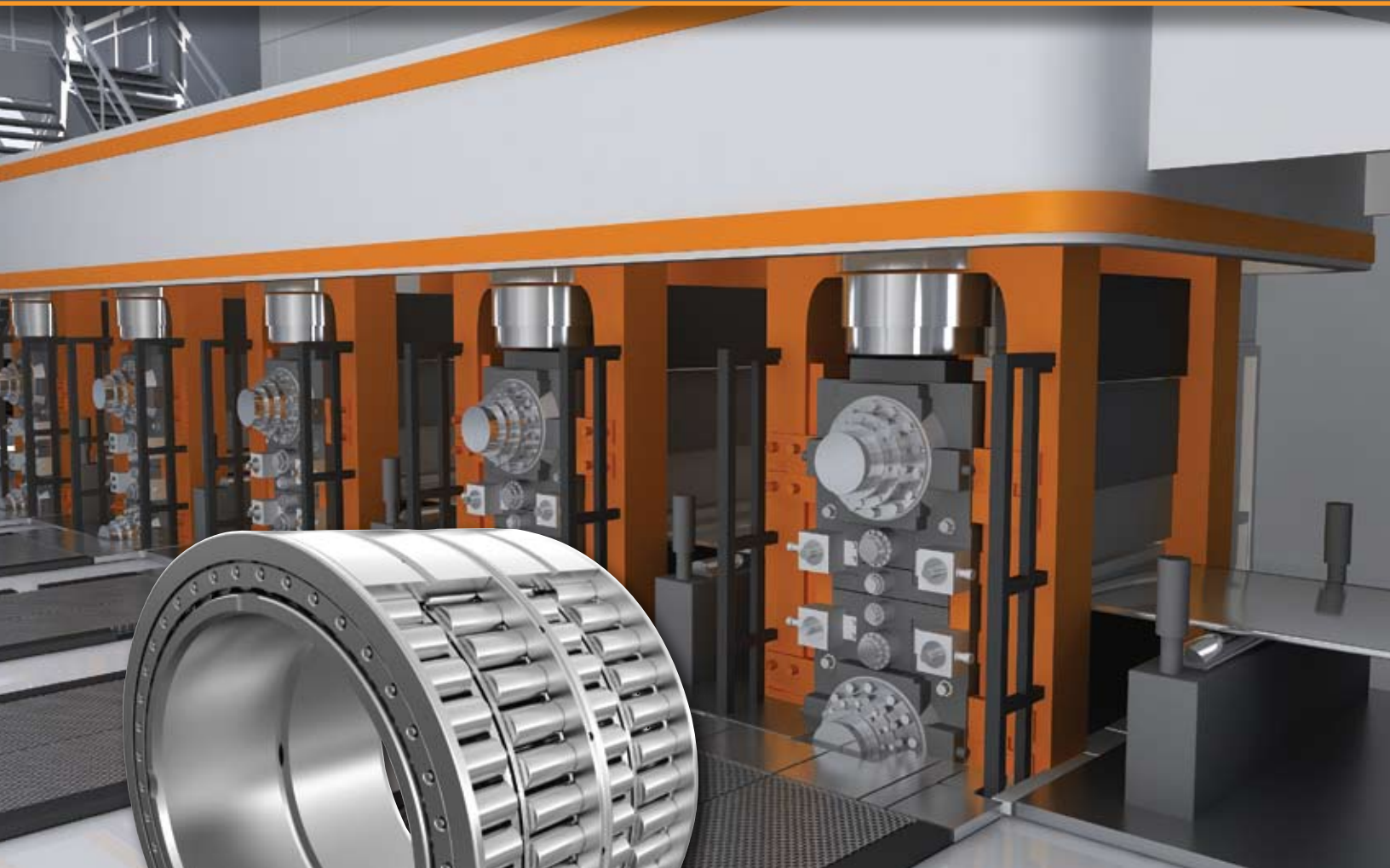


TIMKEN
Where You Turn

Timken® Four-Row Cylindrical Roller Bearings



Timken four-row cylindrical roller bearings are designed for the rigors of daily use in applications where moderate and high speeds, high radial loads, elevated temperatures and extreme debris are constant challenges. Designed with well-balanced cross sections, these bearings provide high radial load capacity within the bearing envelope.

Timken® Four-Row Cylindrical Roller Bearings

Applications

Four-row cylindrical bearings are engineered primarily for use in rolling mill roll-neck applications. These include back-up, intermediate and work roll positions in flat product, long product and structural mills.

Product Features

- Available in sizes 140 mm I.D. – 2000 mm O.D. (5.512 in. – 78.740 in.)
- Case-hardened rings and rollers enhance durability
- Inner races are interchangeable with outer assemblies
- Manufactured to P6 boundary tolerances and P5 runout standards
- Roller profiles are custom designed and manufactured for optimum performance
- Straight and tapered bores are available

Design Benefits

At your request, Timken can design and manufacture bearings to fit your size and application requirements. Our engineers are ready to retrofit your existing mill or work with you in the earliest design stages to select bearings for a new mill. You also can choose from our most common configurations, types RY and RX.

Inner rings can be provided in a semi-finished condition with appropriate grind stock to allow mill operators to optimize the roll's precision by finish grinding the inner ring after mounting it onto the roll. The part numbers for these bearings and inner ring assemblies are identified by a CF suffix. Inner rings can also be provided in a finished state with no additional grinding required. They may be furnished with a tapered bore for your application.

Broad line contact between the rolling elements and races provide high radial load capacity within the bearing envelope. In addition, multiple cage designs and materials allow for design flexibility and preset radial clearance simplifies the installation process.

Type RY

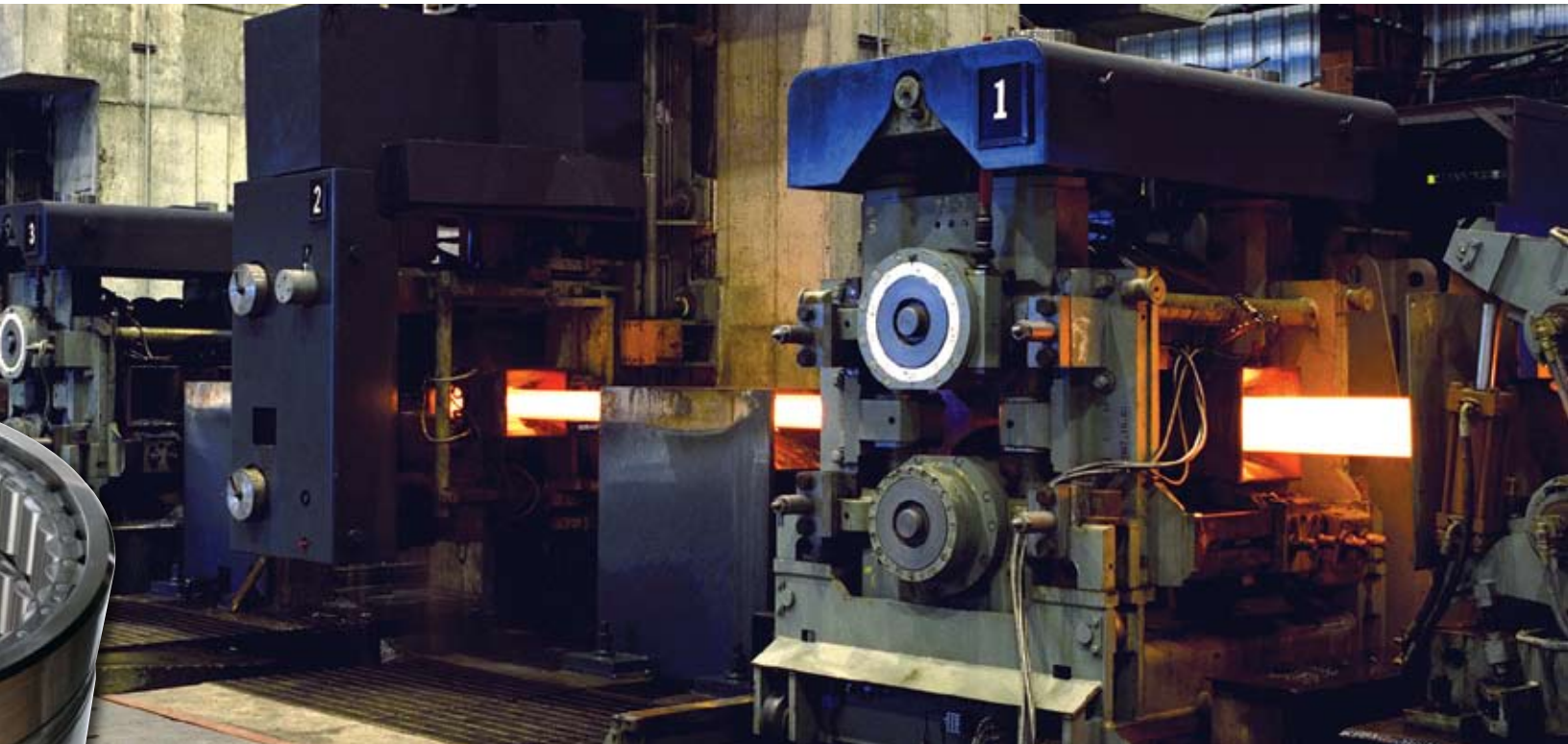
The RY design is available in sizes up to 380 mm (14.961 in.) bore and is primarily used in work roll positions in strip and long product mills. High strength brass cages are standard.



Type RX

The RX design is primarily used in the back-up roll position and features a steel pin-type cage which maximizes the number of rollers and the bearing's radial capacity. It is available with either a straight (RX) or tapered (RXK) bore.

Note: Variations on the basic configuration of the RY and RX bearings are available to suit specific requirements.



A Total System Approach

With more than 90 years of experience manufacturing steel, we understand the challenges of metal production. Timken offers a complete line of products and services that help increase uptime, improve productivity and reduce maintenance costs. Metal producers can choose from our full line of bearings, seals, lubrication, condition monitoring, training, reliability services and more.



Engineered Surfaces

Timken engineered surfaces help protect bearing components by minimizing skidding and sliding damage while withstanding small particle contamination. In some cases, engineered solutions can extend bearing life by up to three times that of standard designs.

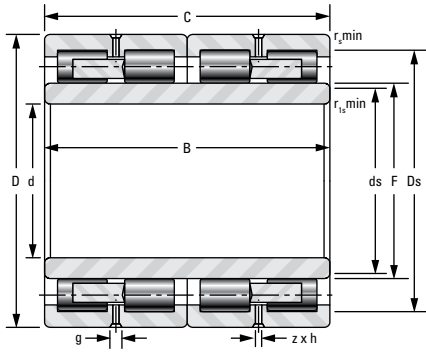


Bearing Remanufacturing

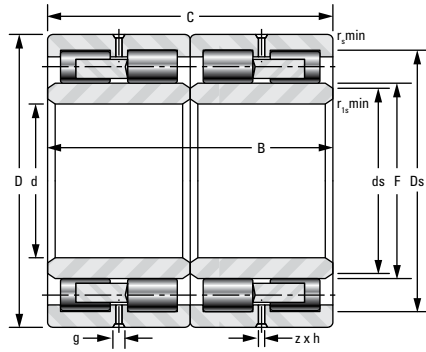
Timken's bearing remanufacturing program provides customers with the best service options available, returning bearings to like-new specifications for less time and money than purchasing new. When integrated into your supply chain, remanufacturing can extend bearing service life and reduce your cost of operation.



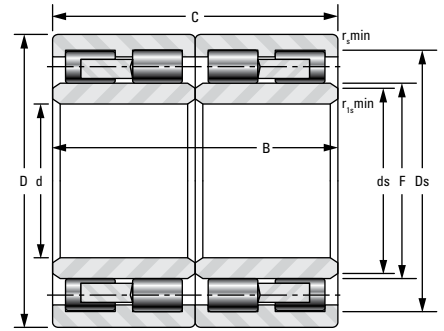
Four-Row Cylindrical Roller Bearings - Type RY



RY-1

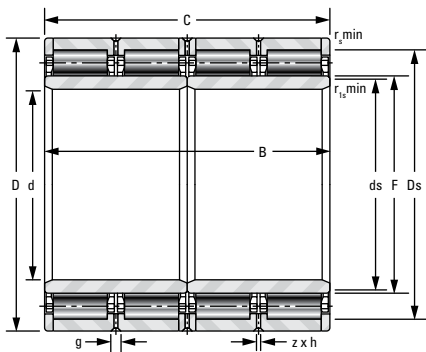


RY-2

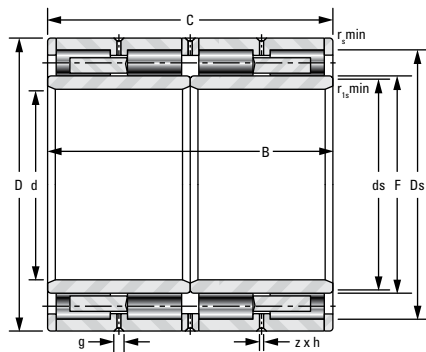


RY-3

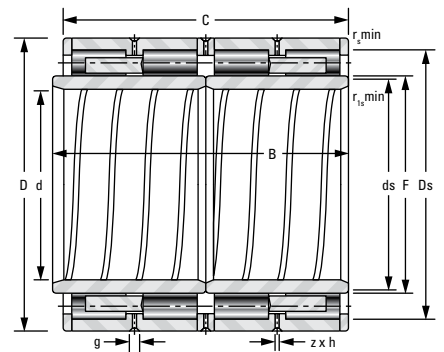
Four-Row Cylindrical Roller Bearings - Type RX and RXK



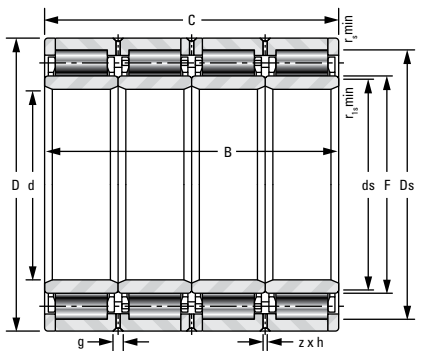
RX-1



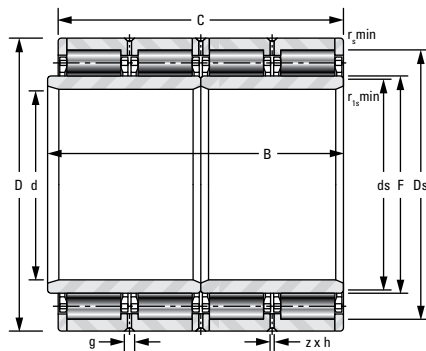
RX-2



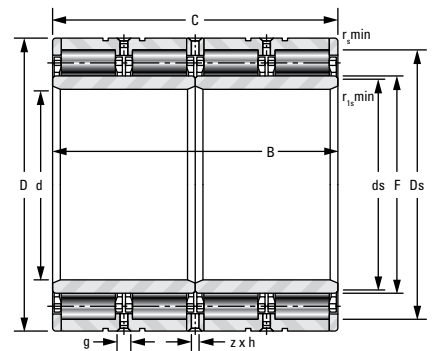
RX-3



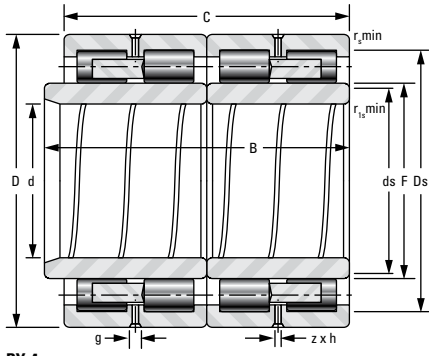
RX-7



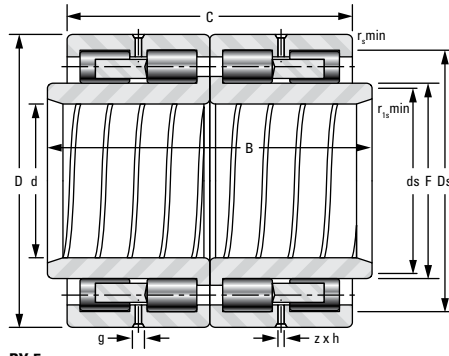
RX-8



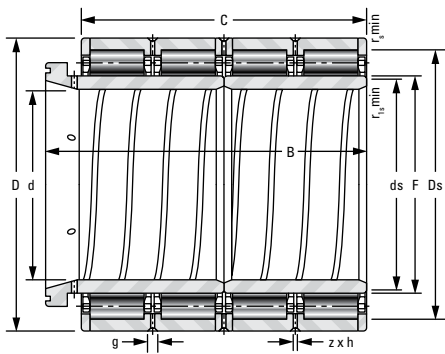
RX-9



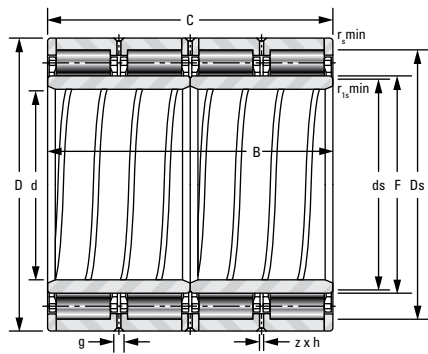
RY-4



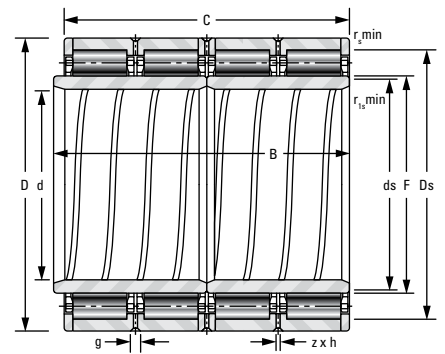
RY-5



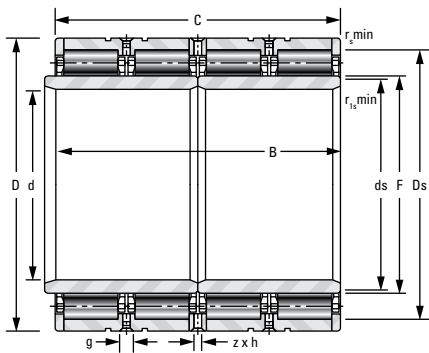
RX-4



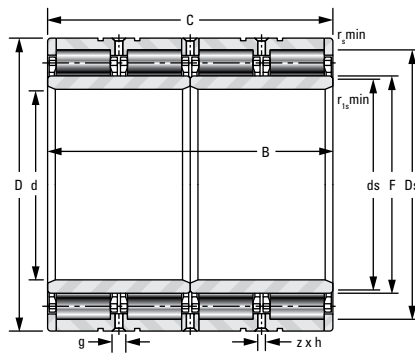
RX-5



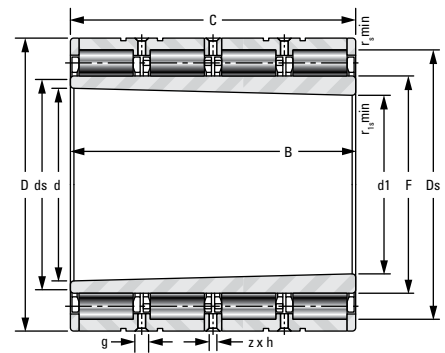
RX-6



RX-10



RX-11



RXK-1

Four-Row Cylindrical Roller Bearings by Bore Size

Bearing Dimensions					Load Ratings		Part Number		Sub Assembly Part Numbers		Mounting Data				Lubrication Data			Bearing Mass kg. lb.
d	D	B	C	F	Dynamic (1)	Static	Bearing	Type	Inner Ring Set	Outer Ring Set	Backings		Backring Diameter		g	h	z	
					C_1	C_0					r_a min	r_{is} min	ds	Ds				
Bore	OD	Width	Width	DUR							Chamfer	Chamfer	Shaft	Housing	Groove	Hole	Number of Holes	
mm in.	mm in.	mm in.	mm in.	mm in.	kN lbf.	kN lbf.					mm in.	mm in.	mm in.	mm in.	mm in.	mm in.		kg. lb.
145.000 5.7087	225.000 8.8583	156.000 6.1417	156.000 6.1417	169.000 6.6535	1100 248000	1832 412000	145RY1452	RY-1	145ARVS1452	169RYS1452	2.0 0.08	2.0 0.08	164.2 6.46	205.0 8.07	9.6 0.38	4.5 0.18	6	23.00 50.71
160.000 6.2992	230.000 9.0551	130.000 5.1181	130.000 5.1181	180.000 7.0866	894 202000	1440 324000	160RY1468	RY-1	160ARVS1468	180RYS1468	1.5 0.06	1.5 0.06	174.6 6.87	216.0 8.50	6.8 0.27	3.0 0.12	6	16.80 37.00
160.000 6.2992	230.000 9.0551	168.000 6.6142	168.000 6.6142	179.000 7.0472	1186 266000	2204 496000	160RY1467	RY-1	160ARVS1467	179RYS1467	2.0 0.08	2.0 0.08	174.5 6.87	211.0 8.31	7.0 0.28	4.0 0.16	8	23.00 50.60
165.100 6.5000	225.425 8.8750	168.275 6.6250	168.275 6.6250	181.000 7.1260	1148 258000	2240 504000	165RY1451	RY-2	165ARYS1451	181RYS1451	1.5 0.06	1.5 0.06	176.2 6.94	211.0 8.31	6.8 0.27	3.0 0.12	6	20.00 44.09
180.000 7.0866	260.000 10.2362	168.000 6.6142	168.000 6.6142	202.000 7.9528	1452 326000	2568 576000	180RY1521	RY-1	180ARVS1521	202RYS1521	2.1 0.08	2.1 0.08	197.2 7.76	242.0 9.53	9.6 0.38	4.5 0.18	6	29.50 65.04
190.000 7.4803	260.000 10.2362	168.000 6.6142	168.000 6.6142	212.000 8.3465	1288 290000	2604 584000	190RY1528	RY-1	190ARVS1528	212RYS1528	2.0 0.08	2.0 0.08	207.2 8.16	244.0 9.61	7.0 0.28	4.0 0.16	8	26.50 58.20
190.000 7.4803	270.000 10.6299	200.000 7.8740	200.000 7.8740	212.000 8.3465	1702 382000	3304 744000	190RY1543	RY-1	190ARVS1543	212RYS1543	2.1 0.08	2.1 0.08	206.5 8.13	250.0 9.84	9.6 0.38	4.5 0.18	6	37.50 82.67
200.000 7.8740	270.000 10.6299	170.000 6.6929	170.000 6.6929	222.000 8.7402	1334 300000	2788 628000	200RY1544	RY-1	200ARVS1544	222RYS1544	2.1 0.08	2.1 0.08	218.0 8.58	254.0 10.00	9.6 0.38	4.5 0.18	6	28.50 62.83
200.000 7.8740	280.000 11.0236	170.000 6.6929	170.000 6.6929	222.000 8.7402	1540 346000	2864 644000	200RY1566	RY-1	200ARVS1566	222RYS1566	2.1 0.08	2.1 0.08	218.0 8.58	262.0 10.31	9.6 0.38	4.5 0.18	6	33.50 73.85
200.000 7.8740	280.000 11.0236	200.000 7.8740	200.000 7.8740	222.000 8.7402	1730 388000	3424 768000	200RY1567	RY-1	200ARVS1567	222RYS1567	2.1 0.08	2.1 0.08	218.0 8.58	260.0 10.24	9.6 0.38	4.5 0.18	6	39.00 85.98
200.000 7.8740	290.000 11.4173	192.000 7.5591	192.000 7.5591	226.000 8.8976	1774 398000	3208 720000	200RY1585	RY-1	200ARVS1585	226RYS1585	2.1 0.08	2.1 0.08	220.6 8.69	270.0 10.63	9.6 0.38	4.5 0.18	6	41.80 92.10
210.000 8.2677	290.000 11.4173	192.000 7.5591	192.000 7.5591	236.000 9.2913	1622 364000	3336 756000	210RY1584A	RY-3	210ARVS1584	236RYS1584A	4.5 0.18	2.1 0.08	220.6 8.69	272.0 10.71	-	-	-	41.00 90.39
220.000 8.6614	310.000 12.2047	192.000 7.5591	192.000 7.5591	246.000 9.6850	1842 414000	3464 780000	220RY1621	RY-1	220ARVS1621	246RYS1621	3.0 0.12	3.0 0.12	240.5 9.47	290.0 11.42	9.0 0.35	4.5 0.18	6	45.10 99.30
220.000 8.6614	340.000 13.3858	218.000 8.5827	218.000 8.5827	257.180 10.1252	2320 522000	4200 940000	220RY1683	RY-1	220ARVS1683	257RYS1683	3.0 0.12	3.0 0.12	251.0 9.88	309.2 12.17	10.0 0.39	5.0 0.20	8	75.60 166.30
230.000 9.0551	330.000 12.9921	206.000 8.1102	206.000 8.1102	260.000 10.2362	2120 478000	3988 896000	230RY1667	RY-1	230ARVS1667	260RYS1667	2.1 0.08	2.1 0.08	253.5 9.98	308.0 12.13	9.0 0.35	4.5 0.18	8	57.80 127.10
240.000 9.4488	320.000 12.5984	200.000 7.8740	200.000 7.8740	260.000 10.2362	1992 448000	3932 884000	240RY1643	RY-2	240ARYS1643	260RYS1643	2.1 0.08	2.1 0.08	253.4 9.98	304.0 11.97	12.0 0.47	6.0 0.24	8	43.00 94.70
240.000 9.4488	330.000 12.9921	220.000 8.6614	220.000 8.6614	270.000 10.6299	1924 432000	4320 972000	240RY1668	RY-1	240ARVS1668	270RYS1668	2.1 0.08	2.1 0.08	263.4 10.37	306.0 12.05	9.6 0.38	4.5 0.18	6	56.70 125.00
250.000 9.8425	340.000 13.3858	230.000 9.0551	230.000 9.0551	276.000 10.8661	2220 500000	4520 1016000	250RY1681	RY-1	250ARVS1681	276RYS1681	4.0 0.16	3.5x45° 0.14x45°	269.5 10.61	320.0 12.60	10.0 0.39	5.0 0.20	6	60.30 132.70
240.000 9.4488	330.000 12.9921	220.000 8.6614	220.000 8.6614	270.000 10.6299	1924 432000	4320 972000	240RY1668	RY-1	240ARVS1668	270RYS1668	2.1 0.08	2.1 0.08	263.4 10.37	306.0 12.05	9.6 0.38	4.5 0.18	6	56.70 125.00
260.000 10.2362	370.000 14.5669	220.000 8.6614	220.000 8.6614	292.000 11.4961	2580 582000	5040 1132000	260RY1744	RY-1	260ARVS1744	292RYS1744	3.0 0.12	3.0 0.12	285.0 11.22	344.0 13.54	9.6 0.38	4.5 0.18	6	107.60 236.70
260.000 10.2362	380.000 14.9606	280.000 11.0236	280.000 11.0236	294.000 11.5748	3240 728000	6320 1420000	260RY1763	RY-2	260ARYS1763	294RYS1763	3.0 0.12	3.0 0.12	286.5 11.28	350.0 13.78	10.0 0.39	5.0 0.20	6	107.60 236.70
280.000 11.0236	390.000 15.3543	220.000 8.6614	220.000 8.6614	312.000 12.2835	2620 590000	5200 1168000	280RY1783	RY-1	280ARVS1783	312RYS1783	4.0 0.16	4.0 0.16	305.2 12.02	364.0 14.33	9.0 0.35	4.5 0.18	6	80.70 177.50

(1) C_1 capacity for L_{10} life per ISO 281

Bearing Dimensions					Load Ratings		Part Number		Sub Assembly Part Numbers		Mounting Data				Lubrication Data			Bearing Mass kg. lb.
d	D	B	C	F	Dynamic (1)	Static	Bearing	Type	Inner Ring Set	Outer Ring Set	Backings		Backing Diameter		g	h	z	
					r_a min	r_{is} min					ds	Ds	Groove	Hole				
Bore	OD	Width	Width	DUR	C_1	C_0					Chamfer	Chamfer	Shaft	Housing	Groove	Hole	Number of Holes	
mm in.	mm in.	mm in.	mm in.	mm in.	kN lbf.	kN lbf.					mm in.	mm in.	mm in.	mm in.	mm in.	mm in.		kg. lb.
280.00 11.0236	390.00 15.3543	240.00 9.4488	220.00 8.6614	312.00 12.2835	2620 590000	5200 1168000	280RY1783A	RY-4	280ARYS1783A	312RYS1783	4.0 0.16	4.0 0.16	305.2 12.02	364.0 14.33	9.0 0.35	4.5 0.18	6	85.00 187.10
280.00 11.0236	390.00 15.3543	275.00 10.8268	275.00 10.8268	308.00 12.1260	3480 784000	7000 1576000	280RY1782	RY-2	280ARYS1782	308RYS1782	2.5 0.10	3.5 0.14	301.8 11.88	364.0 14.33	9.0 0.35	4.5 0.18	6	100.70 221.60
300.00 11.8110	420.00 16.5354	300.00 11.8110	300.00 11.8110	332.00 13.0709	4140 932000	8680 1948000	300RX1846	RX-1	300ARXS1845B	332RXS1846	3.5 0.14	7x20° 0.28x20°	326.1 12.84	392.0 15.43	18.0 0.71	9.0 0.35	8	130.50 287.00
300.00 11.8110	420.00 16.5354	300.00 11.8110	300.00 11.8110	332.00 13.0709	4080 918000	8360 1880000	300RX1845B	RX-2	300ARXS1845B	332RXS1845B	3.5 0.14	7x20° 0.28x20°	326.1 12.84	392.0 15.43	12.0 0.47	6.0 0.24	8	131.90 290.10
300.00 11.8110	420.00 16.5354	320.00 12.5984	300.00 11.8110	332.00 13.0709	4080 918000	8360 1880000	300RX1845C	RX-3	300ARXS1845C	332RXS1845B	3.5 0.14	7x20° 0.28x20°	326.1 12.84	392.0 15.43	12.0 0.47	6.0 0.24	8	133.90 294.50
300.00 11.8110	420.00 16.5354	335.00 13.1890	300.00 11.8110	332.00 13.0709	4140 932000	8680 1948000	S-5132-A	RX-4	S-5133-A	332RXS1846	3.5 0.14	7x20° 0.28x20°	327.5 12.89	392.0 15.43	18.0 0.71	9.0 0.35	8	136.50 300.30
300.00 11.8110	500.00 19.6850	360.00 14.1732	360.00 14.1732	354.250 13.9469	6200 1392000	10240 2304000	300RY2002	RY-2	300ARYS2002	354RYS2002	5.0 0.20	5.0 0.20	347.4 13.68	454.3 17.89	18.0 0.71	10.0 0.39	8	288.70 635.10
330.00 12.9921	460.00 18.1102	340.00 13.3858	340.00 13.3858	365.000 14.3701	4980 1120000	10840 2440000	330RX1922	RX-1	330ARXS1922	365RXS1922	2.3 0.09	10.5x20° 0.41x20°	357.1 14.06	429.0 16.89	12.0 0.47	6.0 0.24	8	176.70 388.80
340.00 13.3858	480.00 18.8976	310.00 12.2047	310.00 12.2047	378.000 14.8819	4660 1048000	9680 2176000	340RX1965A	RX-5	340ARXS1965A	378RXS1965A	3.0 0.12	7x20° 0.28x20°	370.1 14.57	446.0 17.56	16.0 0.63	7.5 0.30	12	179.20 394.20
340.00 13.3858	480.00 18.8976	350.00 13.7795	350.00 13.7795	378.000 14.8819	5180 1162000	10800 2424000	340RY1963	RY-2	340ARYS1963	378RYS1963	3.0 0.12	8x20° 0.32x20°	370.6 14.59	446.0 17.56	12.0 0.47	6.0 0.24	8	200.30 440.80
340.00 13.3858	480.00 18.8976	375.00 14.7638	350.00 13.7795	378.000 14.8819	5180 1162000	10800 2424000	340RY1963B	RY-5	340ARYS1963B	378RYS1963	3.0 0.12	8x20° 0.32x20°	374.9 14.76	446.0 17.56	12.0 0.47	6.0 0.24	8	205.60 452.20
370.00 14.5669	520.00 20.4724	380.00 14.9606	380.00 14.9606	409.000 16.1024	6500 1460000	14040 3156000	370RX2045	RX-1	370ARXS2045	409RXS2045	1.5 0.06	10x20° 0.39x20°	401 15.79	485.0 19.09	16.0 0.63	7.5 0.30	10	257.00 565.30
380.00 14.9606	540.00 21.2598	300.00 11.8110	300.00 11.8110	421.000 16.5748	5420 1218000	10560 2368000	380RX2089	RX-1	380ARXS2089	421RXS2089	2.0 0.08	10x20° 0.39x20°	413 16.26	505.0 19.88	12.3 0.48	6.0 0.24	16	222.70 489.90
380.00 14.9606	540.00 21.2598	400.00 15.7480	380.00 14.9606	422.000 16.6142	6840 1536000	14360 3228000	380RX2086A	RX-6	380ARXS2086A	422RXS2086	4.0 0.16	7x20° 0.28x20°	414 16.30	504.0 19.84	16.0 0.63	8.0 0.31	8	289.30 636.40
380.00 14.9606	540.00 21.2598	400.00 15.7480	400.00 15.7480	422.000 16.6142	6900 1552000	14640 3292000	380RX2087	RX-1	380ARXS2087	422RXS2087	3.0 0.12	10x20° 0.39x20°	412.4 16.24	502.0 19.76	16.0 0.63	8.0 0.31	8	299.30 658.50
390.00 15.3543	540.00 21.2598	320.00 12.5984	320.00 12.5984	431.000 16.9685	5540 1248000	11560 2596000	390RX2088	RX-1	390ARXS2088	431RXS2088	2.0 0.08	10x20° 0.39x20°	422.4 16.63	509.0 20.04	15.0 0.59	7.5 0.30	16	223.80 492.40
390.00 15.3543	550.00 21.6535	400.00 15.7480	400.00 15.7480	432.204 17.0159	6680 1500000	14080 3160000	390RY2103	RY-2	390ARYS2103	432RYS2103	4.0 0.16	11x20° 0.43x20°	423.1 16.66	512.2 20.17	16.0 0.63	8.0 0.31	10	304.50 669.90
400.00 15.7480	560.00 22.0472	410.00 16.1417	410.00 16.1417	445.000 17.5197	7460 1676000	16600 3728000	400RX2123	RX-1	400ARXS2123	445RXS2123	4 0.16	12x20° 0.47x20°	436 17.17	525.0 20.67	16.0 0.63	7.5 0.30	10	319.90 703.70
431.500 16.9882	571.500 22.5000	300.00 11.8110	300.00 11.8110	465.000 18.3071	5200 1170000	10680 2404000	431RX2141	RX-1	431ARXS2141	465RXS2141	4 0.16	10.5x20° 0.41x20°	456.4 17.97	545.0 21.46	18.0 0.71	9.0 0.35	8	197.10 434.50
440.00 17.3228	620.00 24.4094	450.00 17.7165	450.00 17.7165	487.000 19.1732	9100 2040000	20080 4520000	440RX2245	RX-1	440ARXS2245	487RXS2245	4 0.16	12x20° 0.47x20°	477.4 18.80	577.0 22.72	15.0 0.59	7.5 0.30	8	439.60 967.20
460.00 18.1102	685.000 26.9685	400.00 15.7480	400.00 15.7480	518.000 20.3937	8780 1972000	15880 3576000	460RX2371	RX-1	460ARXS2371	518RXS2371	3 0.12	11x20° 0.43x20°	508.4 20.02	638.0 25.12	18.0 0.71	9.0 0.35	12	530.50 1167.10
480.00 18.8976	650.000 25.5906	450.00 17.7165	450.00 17.7165	525.000 20.6693	9540 2140000	21960 4920000	480RX2303B	RX-1	480ARXS2303B	525RXS2303	5 0.20	12.7x20° 0.50x20°	514.5 20.26	615.0 24.21	18.0 0.71	9.0 0.35	12	433.40 953.40

(1) C_1 capacity for L_{10} life per ISO 281

Four-Row Cylindrical Roller Bearings by Bore Size (cont.)

Bearing Dimensions					Load Ratings		Part Number		Sub Assembly Part Numbers		Mounting Data				Lubrication Data			Bearing Mass kg. lb.
d	D	B	C	F	Dynamic (1)	Static	Bearing	Type	Inner Ring Set	Outer Ring Set	Backings		Backring Diameter		g	h	z	
					C_1	C_0					r_a min	r_{is} min	d_s	D_s				
Bore	OD	Width	Width	DUR							Chamfer	Chamfer	Shaft	Housing	Groove	Hole	Number of Holes	
mm in.	mm in.	mm in.	mm in.	mm in.	kN lbf.	kN lbf.					mm in.	mm in.	mm in.	mm in.	mm in.	mm in.		kg. lb.
480.000 18.8976	650.000 25.5906	450.000 17.7165	450.000 17.7165	525.000 20.6693	9540 2140000	21960 4920000	480RX2303A	RX-5	480ARXS2303A	525RXS2303	5 0.20	12.7x20° 0.50x20°	514.5 20.26	615.0 24.21	18.0 0.71	9.0 0.35	12	433.30 953.20
500.000 19.6850	670.000 26.3780	485.000 19.0945	450.000 17.7165	540.000 21.2598	9520 2140000	22200 5000000	500RX2345A	RX-4	500ARXS2345A	540RXS2345	5 0.20	12.5x20° 0.49x20°	531 20.91	630.0 24.80	19.3 0.76	9.5 0.37	12	457.80 1007.30
500.000 19.6850	710.000 27.9528	480.000 18.8976	480.000 18.8976	558.000 21.9685	10780 2420000	23800 5360000	500RX2422	RX-1	500ARXS2422	558RXS2422	6 0.24	18x20° 0.71x20°	545.7 21.48	662.0 26.06	22.0 0.87	12.0 0.47	12	618.70 1361.10
500.000 19.6850	720.000 28.3465	530.000 20.8661	530.000 20.8661	568.000 22.3622	12440 2800000	28480 6400000	500RX2443	RX-1	500ARXS2443	568RXS2443	5 0.20	13x20° 0.51x20°	556.6 21.91	672.0 26.46	22.0 0.87	12.0 0.47	16	739.00 1625.90
510.000 20.0787	680.000 26.7717	500.000 19.6850	500.000 19.6850	560.000 22.0472	10280 2320000	26040 5840000	510RX2364	RX-1	510ARXS2364	560RXS2364	5 0.20	14x20° 0.551x20°	549.7 21.64	644.0 25.35	19.3 0.76	9.5 0.37	12	514.60 1132.20
510.000 20.0787	730.000 28.7402	520.000 20.4724	520.000 20.4724	569.000 22.4016	12680 2860000	27280 6120000	510RX2461	RX-1	510ARXS2461	569RXS2461	6 0.24	17.50x20° 0.69x20°	556.7 21.92	685.0 26.97	19.3 0.76	9.5 0.37	12	750.00 1653.45
530.000 20.8661	760.000 29.9213	520.000 20.4724	520.000 20.4724	587.000 23.1102	13080 2940000	27880 6280000	530RX2522	RX-1	530ARXS2522	587RXS2522	5 0.20	12x20° 0.47x20°	576 22.68	707.0 27.83	19.3 0.76	9.5 0.37	12	787.20 1731.80
550.000 21.6535	740.000 29.1339	510.000 20.0787	510.000 20.0787	600.000 23.6220	11780 2640000	28400 6400000	550RX2484	RX-1	550ARXS2484	600RXS2484	2 0.08	15x20° 0.59x20°	588.5 23.17	698.0 27.48	22.0 0.87	12.0 0.47	16	637.80 1403.10
560.000 22.0472	820.000 32.2835	600.000 23.6220	600.000 23.6220	625.000 24.6063	16180 3640000	34240 7720000	560RX2644	RX-1	560ARXS2644	625RXS2644	6 0.24	20x20° 0.79x20°	611.4 24.07	761.0 29.96	22.0 0.87	12.0 0.47	16	1099.80 2419.70
571.000 22.4843	812.970 32.0067	594.000 23.3858	594.000 23.3858	636.000 25.0394	15440 3480000	35000 7880000	571RX2622	RX-1	571ARXS2622	636RXS2622	5 0.20	14x20° 0.55x20°	623.3 24.54	758.0 29.84	22.0 0.87	12.0 0.47	16	1025.00 2255.00
600.000 23.6220	820.000 32.2835	575.000 22.6378	575.000 22.6378	660.000 25.9843	14780 3320000	35840 8080000	600RX2643A	RX-1	600ARXS2643	660RXS2643A	3 0.12	15x20° 0.59x20°	648.3 25.52	770.0 30.31	18.0 0.71	9.0 0.35	16	927.30 2040.00
600.000 23.6220	820.000 32.2835	575.000 22.6378	575.000 22.6378	660.000 25.9843	14780 3320000	35840 8080000	600RX2643B	RX-9	600ARXS2643	660RXS2643B	3 0.12	15x20° 0.59x20°	648.3 25.52	770.0 30.31	32.0 1.26	2x1.70 2x0.067	8	924.60 2034.00
600.000 23.6220	870.000 34.2520	640.000 25.1969	640.000 25.1969	672.000 26.4567	18040 4060000	40400 9040000	600RX2744	RX-1	600ARXS2744	672RXS2744	7.5 0.30	20x20° 0.79x20°	658.3 25.92	808.0 31.81	19.3 0.76	9.5 0.37	16	1312.00 2891.90
650.000 25.5906	900.000 35.4331	650.000 25.5906	650.000 25.5906	704.000 27.7165	18980 4260000	41200 9280000	650RX2803A	RX-1	650ARXS2803	704RXS2803	7.5 0.30	20x20° 0.79x20°	686.9 27.04	850.0 33.46	22.0 0.87	12.0 0.47	16	1244.90 2738.70
650.000 25.5906	920.000 36.2205	670.000 26.3780	670.000 26.3780	723.000 28.4646	19500 4380000	45600 10240000	650RX2841C	RX-1	650ARXS2841	723RXS2841	4 0.16	18x20° 0.71x20°	705.9 27.79	859.0 33.82	25.3 1.00	13.0 0.51	16	1461.30 3215.00
690.000 27.1654	980.000 38.5827	715.000 28.1496	715.000 28.1496	767.500 30.2165	22400 5040000	52800 11880000	690RX2965	RX-1	690ARXS2965	768RXS2965	4 0.16	20x20° 0.79x20°	750.4 29.54	911.5 35.89	25.3 1.00	13.0 0.51	16	1787.80 3933.10
690.000 27.1654	980.000 38.5827	750.000 29.5276	750.000 29.5276	766.000 30.1575	23000 5160000	54800 12320000	690RX2966	RX-9	690ARXS2966	766RXS2966	7.5 0.30	20x20° 0.79x20°	749.6 29.51	910.0 35.83	46.0 1.81	2x1.70 2x0.067	12	1854.20 4079.10
700.000 27.5591	930.000 36.6142	620.000 24.4094	620.000 24.4094	763.000 30.0394	16920 3800000	44000 9920000	700RX2862	RX-1	700ARXS2862	763RXS2862	3 0.12	18x20° 0.71x20°	745.9 29.37	875.0 34.45	22.0 0.87	12.0 0.47	16	1188.70 2615.20
700.000 27.5591	980.000 38.5827	700.000 27.5591	700.000 27.5591	774.000 30.4724	21000 4720000	51200 11520000	700RX2964A	RX-1	700ARXS2964A	774RXS2964	6 0.24	13x15° 0.51x15°	758.7 29.87	910.0 35.83	25.3 1.00	13.0 0.51	16	1690.00 3725.77
705.000 27.7559	1066.905 42.0041	635.000 25.0000	635.000 25.0000	796.000 31.3386	22600 5100000	45200 10200000	705RX3131B	RX-1	705ARXS3131B	796RXS3131	6 0.24	6 0.24	784.5 30.89	986.0 38.82	34.0 1.34	19.0 0.75	16	2081.90 4580.10
710.000 27.9528	1000.000 39.3701	715.000 28.1496	715.000 28.1496	787.500 31.0039	22800 5120000	54800 12320000	710RX3006	RX-1	710ARXS3006	788RXS3006	4 0.16	17x20° 0.67x20°	773.5 30.45	931.5 36.67	25.3 1.00	13.0 0.51	16	1840.60 4049.40
730.000 28.7402	960.000 37.7953	620.000 24.4094	620.000 24.4094	790.000 31.1024	17500 3940000	45200 10200000	730RX2922	RX-1	730ARXS2922	790RXS2922	3 0.12	20x20° 0.79x20°	776.3 30.56	908.0 35.75	22.0 0.87	12.0 0.47	16	1230.50 2707.20

(1) C_1 capacity for L_{10} life per ISO 281

Bearing Dimensions					Load Ratings		Part Number		Sub Assembly Part Numbers		Mounting Data				Lubrication Data			Bearing Mass kg. lb.
d	D	B	C	F	Dynamic (1)	Static	Bearing	Type	Inner Ring Set	Outer Ring Set	Backings		Backring Diameter		g	h	z	
					$r_{0\text{ min}}$	$r_{1\text{ min}}$					ds	Ds	Groove	Hole				
Bore	OD	Width	Width	DUR	C_1	C_0					Chamfer	Chamfer	Shaft	Housing	Groove	Hole	Number of Holes	
mm in.	mm in.	mm in.	mm in.	mm in.	kN lbf.	kN lbf.					mm in.	mm in.	mm in.	mm in.	mm in.	mm in.		kg. lb.
730.000 28.7402	1030.000 40.5512	750.000 29.5276	750.000 29.5276	809.000 31.8504	24600 5520000	58800 13200000	730RX3064	RX-1	730ARXS3064	809RXS3064	6 0.24	21x20° 0.83x20°	793.9 31.26	959.0 37.76	22.0 0.87	12.0 0.47	16	2054.70 4520.40
730.000 28.7402	1030.000 40.5512	750.000 29.5276	750.000 29.5276	809.000 31.8504	24600 5520000	58800 13200000	730RX3064A	RX-11	730ARXS3064	809RXS3064A	6 0.24	21x20° 0.83x20°	793.9 31.26	959.0 37.76	22.0 0.87	12.0 0.47	16	2049.20 4508.30
750.000 29.5276	1000.000 39.3701	670.000 26.3780	670.000 26.3780	813.000 32.0079	20400 4580000	51600 11600000	750RX3005	RX-1	750ARXS3005	813RXS3005	3 0.12	20x20° 0.79x20°	795.9 31.33	943.0 37.13	22.0 0.87	12.0 0.47	16	1443.30 3175.30
760.000 29.9213	1080.000 42.5197	790.000 31.1024	790.000 31.1024	846.000 33.3071	26800 6040000	64000 14440000	760RX3166	RX-1	760ARXS3166	846RXS3166B	8 0.31	19x20° 0.75x20°	830.5 32.70	1006.0 39.61	22.0 0.87	12.0 0.47	8	2423.00 5330.70
760.925 29.9577	1079.600 42.5039	787.400 31.0000	787.400 31.0000	846.000 33.3071	26800 6040000	64000 14440000	761RX3166B	RX-1	761ARXS3166B	846RXS3166A	8 0.31	19x20° 0.75x20°	830.5 32.70	1006.0 39.61	22.0 0.87	12.0 0.47	8	2406.30 5293.90
761.425 29.9774	1079.600 42.5039	787.400 31.0000	787.400 31.0000	846.000 33.3071	26800 6040000	64000 14440000	761RX3166	RX-1	761ARXS3166	846RXS3166	8 0.31	19x20° 0.75x20°	830.5 32.70	1006.0 39.61	22.0 0.87	12.0 0.47	8	2402.60 5285.80
770.000 30.3150	1075.000 42.3228	770.000 30.3150	770.000 30.3150	847.000 33.3465	26000 5860000	62800 14160000	770RX3151	RX1	770ARXS3151	847RXS3151	7.5 0.30	18x20° 0.71x20°	831.7 32.74	1003.0 39.49	25.3 1.00	13.0 0.51	16	1655.00 3648.61
780.000 30.7087	1070.000 42.1260	780.000 30.7087	780.000 30.7087	853.000 33.5827	25400 5720000	62400 14040000	780RX3141	RX-1	780ARXS3141	853RXS3141	6 0.24	25x20° 0.98x20°	835.9 32.91	1005.0 39.57	22.0 0.87	12.0 0.47	16	2147.90 4725.50
800.000 31.4961	1080.000 42.5197	700.000 27.5591	700.000 27.5591	878.000 34.5669	22600 5100000	59200 13280000	800RX3165	RX-1	800ARXS3165	878RXS3165	3 0.12	20x20° 0.79x20°	864.3 34.03	1014.0 39.92	26.0 1.02	15.0 0.59	16	1915.60 4214.40
800.000 31.4961	1080.000 42.5197	750.000 29.5276	750.000 29.5276	880.000 34.6457	22600 5080000	58800 13240000	800RX3164	RX-1	800ARXS3164	880RXS3164	-	18x20° 0.71x20°	863.7 34.00	1016.0 40.00	25.3 1.00	13.0 0.51	16	2050.00 4519.43
820.000 32.2835	1130.000 44.4882	650.000 25.5906	650.000 25.5906	891.000 35.0787	23200 5220000	52400 11800000	820RX3263	RX-1	820ARXS3263	891RXS3263	6 0.24	20x20° 0.79x20°	873.8 34.40	1061.0 41.77	25.3 1.00	13.0 0.51	16	2030.00 4475.34
820.000 32.2835	1100.000 43.3071	745.000 29.3307	720.000 28.3465	892.000 35.1181	23000 5180000	57600 12960000	820RX3201A	RX-10	820ARXS3201A	892RXS3201A	3 0.12	22x20° 0.87x20°	872.2 34.34	1036.0 40.79	42.0 1.65	2x1.70 2x0.067	12	1969.80 4333.60
820.000 32.2835	1130.000 44.4882	800.000 31.4961	800.000 31.4961	903.000 35.5512	27400 6160000	68400 15360000	820RX3264	RX-1	820ARXS3264	903RXS3264	7.5 0.30	23x20° 0.91x20°	882.5 34.74	1059.0 41.69	36.0 1.42	20.0 0.79	16	2490.40 5478.80
820.000 32.2835	1130.000 44.4882	800.000 31.4961	800.000 31.4961	903.000 35.5512	27400 6160000	68400 15360000	820RX3264A	RX-9	820ARXS3264	903RXS3264A	7.5 0.30	23x20° 0.91x20°	882.5 34.74	1059.0 41.69	46.0 1.81	2x1.70 2x0.067	12	2495.00 5497.50
820.000 32.2835	1130.000 44.4882	825.000 32.4803	800.000 31.4961	903.000 35.5512	27400 6160000	68400 15360000	820RX3264C	RX-8	820ARXS3264C	903RXS3264	7.5 0.30	23x20° 0.91x20°	882.5 34.74	1059.0 41.69	36.0 1.42	20.0 0.79	16	2512.30 5527.10
820.000 32.2835	1130.000 44.4882	825.000 32.4803	800.000 31.4961	903.000 35.5512	27400 6160000	68400 15360000	820RX3264D	RX-10	820ARXS3264C	903RXS3264A	7.5 0.30	23x20° 0.91x20°	882.5 34.74	1059.0 41.69	46.0 1.81	2x1.70 2x0.067	12	2520.00 5545.40
850.000 33.4646	1150.000 45.2756	840.000 33.0709	840.000 33.0709	928.000 36.5354	28800 6480000	74800 16760000	850RX3304	RX-1	850ARXS3304	928RXS3304	4 0.16	23x20° 0.91x20°	910.8 35.86	1080.0 42.52	22.0 0.87	12.0 0.47	16	2605.20 5731.50
850.000 33.4646	1180.000 46.4567	850.000 33.4646	850.000 33.4646	940.000 37.0079	29600 6660000	72800 16400000	850RX3365	RX-1	850ARXS3365	940RXS3365	7.5 0.30	25x11°20' 0.98x11°20'	911.7 35.89	1106.0 43.54	36.0 1.42	20.0 0.79	16	2870.00 6408.00
862.980 33.9756	1219.302 48.0040	876.300 34.5000	889.000 35.0000	956.000 37.6378	34600 7780000	84000 18840000	863RX3445A	RX-1	863ARXS3445A	956RXS3445A	5 0.20	12x20° 0.47x20°	938.2 36.94	1140.0 44.88	25.3 1.00	13.0 0.51	16	3434.60 7556.20
880.000 34.6457	1180.000 46.4567	750.000 29.5276	750.000 29.5276	945.000 37.2047	27400 6140000	68000 15280000	880RXK3364A	RXK-1	880ARVKS3364	945RXS3364A	7.5 0.30	8 0.31	930 36.61	1105.0 43.50	46.0 1.81	2x1.70 2x0.067	8	2510.70 5523.60
900.000 35.4331	1220.000 48.0315	840.000 33.0709	840.000 33.0709	989.000 38.9370	30200 6780000	78000 17560000	900RX3444	RX-1	900ARXS3444	989RXS3444	4 0.16	24x24° 0.95x20°	971.8 38.26	1149.0 45.24	22.0 0.87	12.0 0.47	16	2964.60 6522.10
1040.000 40.9449	1439.890 56.6886	1000.000 39.3701	1000.000 39.3701	1133.000 44.6063	42600 9580000	101200 22760000	1040RX3882	RX-7	1040ARXS3882	1133RXS3882	7.5 0.30	27x20° 1.06x20°	1110.2 43.71	1353.0 53.27	22.0 0.87	12.0 0.47	16	4975.50 10969.80

(1) C_1 capacity for L_{10} life per ISO 281

Radial Internal Clearance Codes

Timken cylindrical roller bearings are available with the radial internal clearance (RIC) designations specified below. When placing an order, the desired RIC code (C2, C0, C3, C4, C5) must be added to the part number following all other suffixes.

Bore (mm)		Radial Internal Clearance (Straight Bore)									
Over	Inclusive	C2		C0		C3		C4		C5	
		Max	Min	Max	Min	Max	Min	Max	Min	Max	Min
		mm in		mm in		mm in		mm in		mm in	
120	140	0.060	0.015	0.105	0.060	0.145	0.100	0.190	0.145	0.245	0.200
		0.0024	0.0006	0.0041	0.0024	0.0057	0.0039	0.0075	0.0057	0.0096	0.0079
140	160	0.070	0.020	0.120	0.070	0.165	0.115	0.215	0.165	0.275	0.225
		0.0028	0.0008	0.0047	0.0028	0.0065	0.0045	0.0085	0.0065	0.0108	0.0089
160	180	0.075	0.025	0.125	0.075	0.170	0.120	0.220	0.170	0.300	0.250
		0.0030	0.0010	0.0049	0.0030	0.0067	0.0047	0.0087	0.0067	0.0118	0.0098
180	200	0.090	0.035	0.145	0.090	0.195	0.140	0.250	0.195	0.330	0.275
		0.0035	0.0014	0.0057	0.0035	0.0077	0.0055	0.0098	0.0077	0.0130	0.0108
200	225	0.105	0.045	0.165	0.105	0.220	0.160	0.280	0.220	0.365	0.305
		0.0041	0.0018	0.0065	0.0041	0.0087	0.0063	0.0110	0.0087	0.0144	0.0120
225	250	0.110	0.045	0.175	0.110	0.235	0.170	0.300	0.235	0.395	0.330
		0.0043	0.0018	0.0069	0.0043	0.0093	0.0067	0.0118	0.0093	0.0156	0.0130
250	280	0.125	0.055	0.195	0.125	0.260	0.190	0.330	0.260	0.440	0.370
		0.0049	0.0022	0.0077	0.0049	0.0102	0.0075	0.0130	0.0102	0.0173	0.0146
280	315	0.130	0.055	0.205	0.130	0.275	0.200	0.350	0.275	0.485	0.410
		0.0051	0.0022	0.0081	0.0051	0.0108	0.0079	0.0138	0.0108	0.0191	0.0161
315	355	0.145	0.065	0.225	0.145	0.305	0.225	0.385	0.305	0.535	0.455
		0.0057	0.0026	0.0089	0.0057	0.0120	0.0089	0.0152	0.0120	0.0211	0.0179
355	400	0.190	0.100	0.280	0.190	0.370	0.280	0.460	0.370	0.600	0.510
		0.0075	0.0039	0.0110	0.0075	0.0146	0.0110	0.0181	0.0146	0.0236	0.0201
400	450	0.210	0.110	0.310	0.210	0.410	0.310	0.510	0.410	0.66	0.565
		0.0083	0.0043	0.0122	0.0083	0.0161	0.0122	0.0201	0.0161	0.0262	0.0222
450	500	0.220	0.110	0.330	0.220	0.440	0.330	0.550	0.440	0.735	0.625
		0.0087	0.0043	0.0130	0.0087	0.0173	0.0130	0.0217	0.0173	0.0289	0.0246
500	560	0.240	0.120	0.360	0.240	0.480	0.360	0.600	0.480	0.810	0.690
		0.0095	0.0047	0.0142	0.0095	0.0189	0.0142	0.0236	0.0189	0.0319	0.0272
560	630	0.260	0.140	0.380	0.260	0.500	0.380	0.620	0.500	0.900	0.780
		0.0102	0.0055	0.0150	0.0102	0.197	0.0150	0.0244	0.0197	0.0354	0.0307
630	710	0.285	0.145	0.425	0.285	0.565	0.425	0.705	0.565	1.005	0.865
		0.0112	0.0057	0.0167	0.0112	0.0222	0.0167	0.0278	0.0222	0.0396	0.0341
710	800	0.310	0.150	0.470	0.310	0.630	0.470	0.790	0.630	1.135	0.975
		0.0122	0.0059	0.0185	0.0122	0.0248	0.0185	0.0311	0.0248	0.0447	0.0384
800	900	0.350	0.180	0.520	0.350	0.690	0.520	0.860	0.690	1.265	1.095
		0.0138	0.0071	0.0205	0.0138	0.0272	0.0205	0.0339	0.0272	0.0498	0.0431
900	1000	0.039	0.020	0.058	0.039	0.077	0.058	0.096	0.077	0.141	0.122
		0.0154	0.0079	0.0228	0.0154	0.0303	0.0228	0.0378	0.0303	0.0553	0.0478
1000	1120	0.430	0.220	0.640	0.430	0.850	0.640	1.060	0.850	1.565	1.355
		0.0169	0.0087	0.0252	0.0169	0.0335	0.0252	0.0417	0.0335	0.0616	0.0534
1120	1250	0.470	0.230	0.710	0.470	0.950	0.710	1.190	0.950	1.750	1.510
		0.0185	0.0091	0.0280	0.0185	0.0374	0.0280	0.0469	0.0374	0.0689	0.0595

Bore (mm)		Radial Internal Clearance (Tapered Bore)									
Over	Inclusive	C2		C0		C3		C4		C5	
		Max	Min	Max	Min	Max	Min	Max	Min	Max	Min
		mm in		mm in		mm in		mm in		mm in	
120	140	0.100	0.055	0.145	0.100	0.175	0.130	0.205	0.160	0.270	0.225
		0.0039	0.0022	0.0057	0.0039	0.0069	0.0051	0.0081	0.0063	0.0106	0.0089
140	160	0.110	0.060	0.160	0.110	0.195	0.145	0.230	0.180	0.305	0.255
		0.0043	0.0024	0.0063	0.0043	0.0077	0.0057	0.0091	0.0071	0.0120	0.0100
160	180	0.125	0.075	0.175	0.125	0.210	0.160	0.245	0.195	0.330	0.280
		0.0049	0.0030	0.0069	0.0049	0.0083	0.0063	0.0097	0.0077	0.0130	0.0110
180	200	0.140	0.085	0.195	0.140	0.235	0.180	0.275	0.220	0.360	0.305
		0.0055	0.0034	0.0077	0.0055	0.0093	0.0071	0.0108	0.0087	0.0142	0.0120
200	225	0.155	0.095	0.215	0.155	0.260	0.200	0.305	0.245	0.400	0.340
		0.0061	0.0037	0.0085	0.0061	0.0102	0.0079	0.0120	0.0097	0.0158	0.0134
225	250	0.170	0.105	0.235	0.170	0.285	0.220	0.335	0.270	0.440	0.375
		0.0067	0.0041	0.0093	0.0067	0.0112	0.0087	0.0132	0.0106	0.0173	0.0148
250	280	0.185	0.115	0.255	0.185	0.310	0.240	0.365	0.295	0.485	0.415
		0.0073	0.0045	0.0100	0.0073	0.0122	0.0095	0.0144	0.0116	0.0191	0.0163
280	315	0.205	0.130	0.280	0.205	0.340	0.265	0.400	0.325	0.540	0.465
		0.0081	0.0051	0.0110	0.0081	0.0134	0.0104	0.0158	0.0128	0.0213	0.0183
315	355	0.225	0.145	0.305	0.225	0.370	0.290	0.435	0.355	0.595	0.515
		0.0089	0.0057	0.0120	0.0089	0.0146	0.0114	0.0171	0.0140	0.0234	0.0203
355	400	0.255	0.165	0.345	0.255	0.420	0.330	0.495	0.405	0.670	0.580
		0.0100	0.0065	0.0136	0.0100	0.0165	0.0130	0.0195	0.0159	0.0264	0.0228
400	450	0.285	0.185	0.385	0.285	0.470	0.370	0.555	0.455	0.750	0.650
		0.0112	0.0073	0.0152	0.0112	0.0185	0.0146	0.0219	0.0179	0.0295	0.0256
450	500	0.315	0.205	0.425	0.315	0.520	0.410	0.615	0.505	0.830	0.720
		0.0124	0.0081	0.0167	0.0124	0.0205	0.0161	0.0242	0.0199	0.0327	0.0284
500	560	0.350	0.230	0.470	0.350	0.575	0.455	0.680	0.560	0.920	0.800
		0.0138	0.0091	0.0185	0.0138	0.0226	0.0179	0.0268	0.0221	0.0362	0.0315
560	630	0.380	0.260	0.500	0.380	0.620	0.500	0.740	0.620	1.020	0.900
		0.0150	0.0102	0.0197	0.0150	0.0244	0.0197	0.0291	0.0244	0.0402	0.0354
630	710	0.435	0.295	0.575	0.435	0.705	0.565	0.835	0.695	1.145	1.005
		0.0171	0.0116	0.0226	0.0171	0.0278	0.0222	0.0329	0.0274	0.0451	0.0396
710	800	0.485	0.325	0.645	0.485	0.790	0.630	0.935	0.775	1.285	1.125
		0.0191	0.0128	0.0254	0.0191	0.0311	0.0248	0.0368	0.0305	0.0506	0.0443
800	900	0.540	0.370	0.710	0.540	0.870	0.700	1.030	0.860	1.435	1.265
		0.0213	0.0146	0.0280	0.0213	0.0343	0.0276	0.0406	0.0339	0.0565	0.0498
900	1000	0.600	0.410	0.790	0.600	0.970	0.780	1.0150	0.960	–	–
		0.0236	0.0161	0.0311	0.0236	0.0382	0.0307	0.0453	0.0378	–	–
1000	1120	0.665	0.455	0.875	0.665	1.075	0.865	1.275	1.065	–	–
		0.0262	0.0179	0.0345	0.0262	0.0423	0.0341	0.0502	0.0419	–	–
1120	1250	0.730	0.490	0.970	0.730	1.200	0.960	1.440	1.200	–	–
		0.0287	0.0193	0.0382	0.0287	0.0472	0.0378	0.0567	0.0472	–	–

The Timken Company

The Timken Company keeps the world turning with innovative friction management and power transmission products and services, enabling our customers to perform faster and more efficiently. Timken is Where You Turn™ for better performance.

For More Information

To learn more about Timken® four-row cylindrical bearings and our extensive line of other friction management products and services for the metals industry, contact your local Timken representative or visit www.timken.com.



TIMKEN
Where You Turn

Bearings • Steel •
Precision Components • Lubrication •
Seals • Remanufacture and Repair •
Industrial Services

www.timken.com

Timken® is a registered trademark of
The Timken Company

© 2009 The Timken Company
Printed in U.S.A.
10M 1-09-29 Order No. 10251