



**TRANSMISSIONS**

**Mechanical Power Transmission**

## Dunlop BTL Ltd

European Distribution Centre  
MPT House  
Brunswick Road  
Cobbs Wood Industrial Estate  
Ashford, Kent. UK  
TN23 1EL

### Contact us

-  +44 (0)1233 663340
-  +44 (0)1233 664440
-  [sales@dunlopbt.com](mailto:sales@dunlopbt.com)
-  [www.dunlopbt.com](http://www.dunlopbt.com)

### Manufacturing Facilities

UNITED KINGDOM

FRANCE

GERMANY

ITALY

SPAIN

POLAND

CZECH REPUBLIC

SLOVAKIA

SERBIA

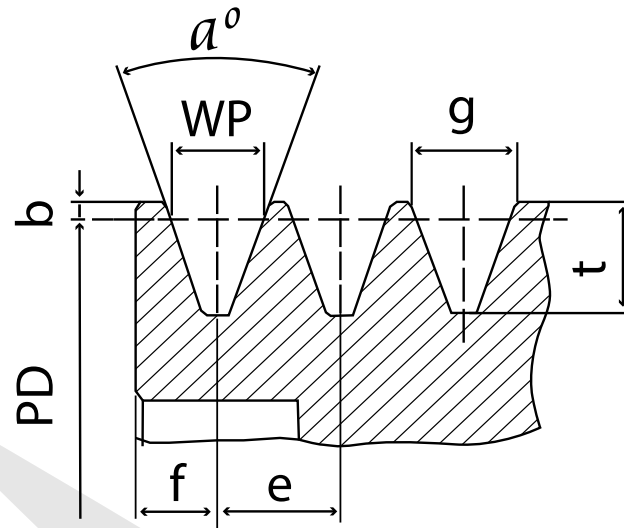
CHINA

USA

Engineering Data Taper Bore	38
V-Pulleys Taper Bore	40
Engineering Data Pilot Bore	63
V-Pulleys Pilot Bore	65



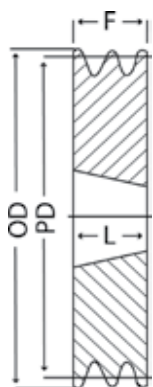
ENGINEERING DATA V-PULLEYS TAPER BORE



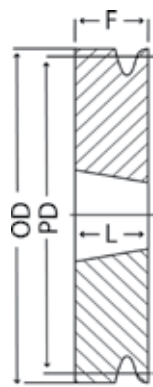
DIMENSIONS OF V-PULLEYS TAPER BORE

Groove Profile	WP	b	t	e	f	PD	Angle $a^\circ$ (mm)	g (mm)
SPZ	8.5	2.0	11.0	12±0.3	8.0±0.6	≤80	34±1	9.72
						>80	38±1	9.88
SPA	11.0	2.8	13.8	15±0.3	10.0±0.6	≤118	34±1	12.68
						>118	38±1	12.89
SPB	14.0	3.5	17.5	19±0.4	12.5±0.8	≤190	34±1	16.14
						>190	38±1	16.41
SPC	19.0	4.8	23.8	25.5±0.5	17.0±1	≤315	34±0.5	21.94
						>315	38±0.5	22.31

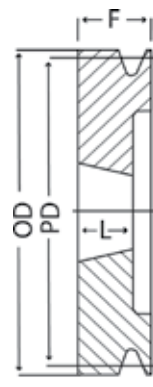
V-PULLEYS TYPES TAPER BORE



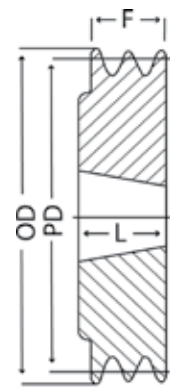
Type 1



Type 2

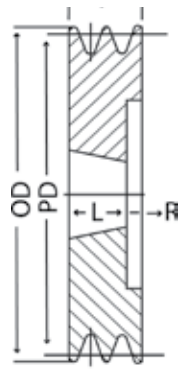


Type 3

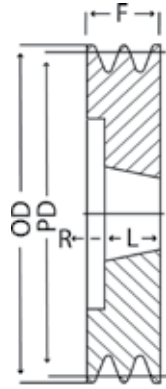


Type 4

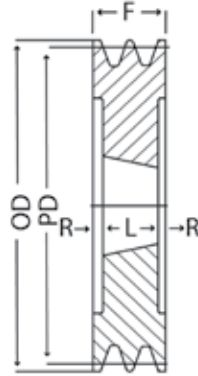
V-PULLEYS TYPES TAPER BORE continued



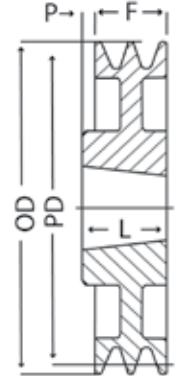
Type 5



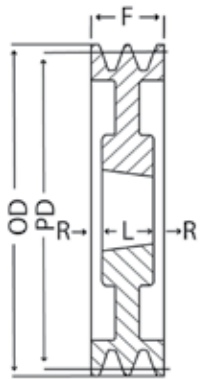
Type 6



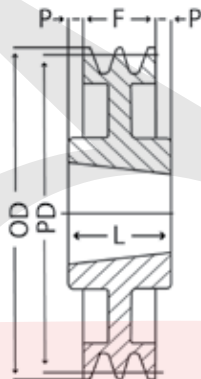
Type 7



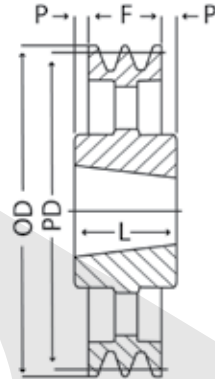
Type 8



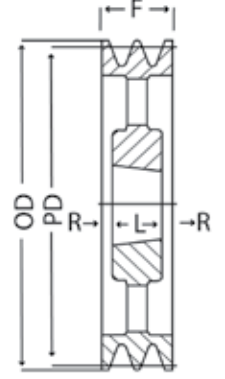
Type 9



Type 10



Type 11



Type 12



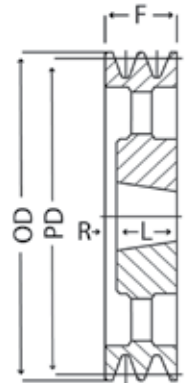
Type 13



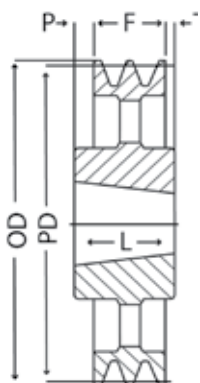
Type 15



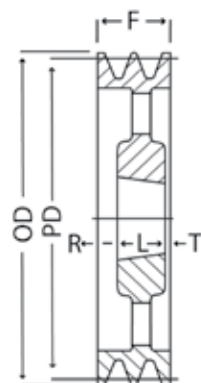
Type 15 - 1



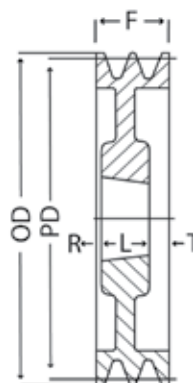
Type 16



Type 17



Type 18



Type 19



V PULLEYS



### V-PULLEYS TAPER BORE

**Description**

Dunlop V-pulleys are manufactured from cast iron EN-GJL-200 UNI EN1561 and are black phosphated according to ISO 4183 and DIN 2211-3 norms. All pulleys are statically balanced for peripheral speeds up to 35 m/sec.

V-Pulleys are available to suit all V & wedge belts cross sections Z, A, B, C, SPZ, SPA, SPB & SPC and are available from stock in both taper and pilot bore options.

Part numbers are identified by 3 letters (e.g. SPA) which represents the belt cross section, a 3 or 4 digit number (e.g. 250) the pulleys pitch diameter and a 1 or 2 digit number (e.g. 3) the number of grooves/belts to be run in the drive, for example SPA250/3.

### SPZ - SECTION

Part No.	Type	Bush No.	PD (mm)	OD (mm)	Dimensions (mm)			
					F	L	R	P
SPZ 50 X 1	3	1008	50	54	38	24	14	-
SPZ 50 X 2	3	1008	50	54	50	24	26	-
SPZ 56 X 1	3	1008	56	60	37	24	13	-
SPZ 56 X 2	3	1008	56	60	49	24	25	-
SPZ 56 X 3	3	1108	56	60	61	23	38	-
SPZ 60 X 1	2	1008	60	64	22	22	-	-
SPZ 60 X 2	3	1108	60	64	49	22	27	-
SPZ 60 X 3	3	1108	60	64	61	23	38	-
SPZ 63 X 1	4	1108	63	67	16	22	-	-
SPZ 63 X 2	5	1108	63	67	28	22	6	-
SPZ 63 X 3	5	1108	63	67	40	22	18	-
SPZ 63 X 4	5	1108	63	67	52	22	30	-
SPZ 67 X 1	4	1108	67	71	16	22	-	-
SPZ 67 X 2	5	1108	67	71	28	22	6	-
SPZ 67 X 3	5	1108	67	71	40	22	18	-
SPZ 67 X 4	5	1108	67	71	52	22	30	-
SPZ 71 X 1	4	1108	71	75	16	22	-	-
SPZ 71 X 2	5	1108	71	75	28	22	6	-
SPZ 71 X 3	5	1108	71	75	40	22	18	-
SPZ 71 X 4	5	1108	71	75	52	22	30	-
SPZ 71 X 5	5	1108	71	75	64	22	42	-
SPZ 75 X 1	4	1108	75	79	16	22	-	-
SPZ 75 X 2	5	1210	75	79	28	25	3	-
SPZ 75 X 3	5	1210	75	79	40	25	15	-
SPZ 75 X 4	5	1210	75	79	52	25	27	-
SPZ 80 X 1	4	1210	80	84	16	25	-	-
SPZ 80 X 2	5	1210	80	84	28	25	3	-
SPZ 80 X 3	5	1210	80	84	40	25	15	-
SPZ 80 X 4	5	1210	80	84	42	25	27	-
SPZ 85 X 1	5	1610	85	89	28	25	3	-
SPZ 85 X 2	5	1610	85	89	40	25	15	-
SPZ 85 X 3	5	1610	85	89	52	25	27	-
SPZ 85 X 4	5	1610	85	89	64	25	39	-

## SPZ - SECTION continued

Part No.	Type	Bush No.	PD (mm)	OD (mm)	Dimensions (mm)			
					F	L	R	P
SPZ 90 X 1	4	1210	90	94	16	25	-	-
SPZ 90 X 2	5	1610	90	94	28	25	3	-
SPZ 90 X 3	5	1610	90	94	40	25	15	-
SPZ 90 X 4	5	1610	90	94	52	25	27	-
SPZ 90 X 5	5	1610	90	94	64	25	39	-
SPZ 90 X 6	5	1610	90	94	76	25	51	-
SPZ 95 X 1	4	1210	95	99	16	25	-	-
SPZ 95 X 2	5	1610	95	99	28	25	3	-
SPZ 95 X 3	5	1610	95	99	40	25	15	-
SPZ 95 X 4	5	1610	95	99	52	25	27	-
SPZ 95 X 5	5	1610	95	99	64	25	39	-
SPZ 95 X 6	5	1610	95	99	76	25	51	-
SPZ 100 X 1	4	1210	100	104	16	5	-	-
SPZ 100 X 2	5	1610	100	104	28	25	3	-
SPZ 100 X 3	5	1610	100	104	40	25	15	-
SPZ 100 X 4	5	1610	100	104	52	25	27	-
SPZ 100 X 5	5	2012	100	104	64	32	32	-
SPZ 100 X 6	5	2012	100	104	76	32	44	-
SPZ 106 X 1	4	1610	106	110	16	25	-	-
SPZ 106 X 2	5	1610	106	110	28	25	3	-
SPZ 106 X 3	5	1610	106	110	40	25	15	-
SPZ 106 X 4	5	1610	106	110	52	25	27	-
SPZ 106 X 5	5	2012	106	110	64	32	32	-
SPZ 106 X 6	5	2012	106	110	76	32	44	-
SPZ 112 X 1	4	1610	112	116	16	25	-	-
SPZ 112 X 2	5	1610	112	116	28	25	3	-
SPZ 112 X 3	5	2012	112	116	40	32	8	-
SPZ 112 X 4	5	2012	112	116	52	32	20	-
SPZ 112 X 5	5	2012	112	116	64	32	32	-
SPZ 112 X 6	5	2012	112	116	76	32	44	-
SPZ 118 X 1	4	1610	118	122	16	25	-	-
SPZ 118 X 2	5	1610	118	122	28	25	3	-
SPZ 118 X 3	5	2012	118	122	40	32	8	-
SPZ 118 X 5	5	2012	118	122	64	32	32	-
SPZ 118 X 6	5	2517	118	122	76	45	31	-
SPZ 125 X 1	4	1610	125	129	16	25	-	-
SPZ 125 X 2	5	1610	125	129	28	25	3	-
SPZ 125 X 3	6	2012	125	129	40	32	8	-
SPZ 125 X 4	6	2012	125	129	52	32	20	-
SPZ 125 X 5	5	2012	125	129	64	32	32	-
SPZ 125 X 6	5	2517	125	129	76	45	31	-
SPZ 132 X 1	4	1610	132	136	16	25	-	-
SPZ 132 X 2	5	1610	132	136	28	25	3	-
SPZ 132 X 3	6	2012	132	136	40	32	8	-
SPZ 132 X 4	6	2012	132	136	52	32	20	-
SPZ 132 X 5	5	2517	132	136	64	45	19	-

## SPZ - SECTION continued

Part No.	Type	Bush No.	PD (mm)	OD (mm)	Dimensions (mm)			
					F	L	R	P
SPZ 132 X 6	5	2517	132	136	76	45	31	-
SPZ 132 X 8	7	2517	132	136	100	45	27.5	-
SPZ 140 X 1	8	1610	140	144	16	25	-	9
SPZ 140 X 2	5	1610	140	144	28	25	3	-
SPZ 140 X 3	6	2012	140	144	40	32	8	-
SPZ 140 X 4	6	2012	140	144	52	32	20	-
SPZ 140 X 5	6	2517	140	144	64	45	19	-
SPZ 140 X 6	6	2517	140	144	76	45	31	-
SPZ 140 X 8	7	2517	140	144	100	45	27.5	-
SPZ 150 X 1	8	1610	150	154	16	25	-	9
SPZ 150 X 2	4	2012	150	154	28	32	-	
SPZ 150 X 3	6	2012	150	154	40	32	8	
SPZ 150 X 4	6	2517	150	154	52	45	7	
SPZ 150 X 5	6	2517	150	154	64	45	19	
SPZ 150 X 6	6	2517	150	154	76	45	31	
SPZ 150 X 8	7	2517	150	154	100	45	27.5	
SPZ 160 X 1	8	1610	160	164	16	25	-	9
SPZ 160 X 2	8	2012	160	164	28	32	-	4
SPZ 160 X 3	6	2012	160	164	40	32	8	-
SPZ 160 X 4	6	2517	160	164	52	45	7	-
SPZ 160 X 5	6	2517	160	164	64	45	19	-
SPZ 160 X 6	6	2517	160	164	76	45	31	-
SPZ 160 X 8	7	2517	160	164	100	45	27.5	-
SPZ 170 X 1	8	1610	170	174	16	25	-	9
SPZ 170 X 2	8	2012	170	174	28	32	-	4
SPZ 170 X 3	7	2012	170	174	40	32	4	-
SPZ 170 X 4	6	2517	170	174	52	45	7	-
SPZ 170 X 5	6	2517	170	174	64	45	19	-
SPZ 170 X 6	6	2517	170	174	76	45	31	-
SPZ 180 X 1	8	1610	180	184	16	25	-	9
SPZ 180 X 2	8	2012	180	184	28	32	-	4
SPZ 180 X 3	15	2012	180	184	40	32	8	-
SPZ 180 X 4	6	2517	180	184	52	45	7	-
SPZ 180 X 5	6	2517	180	184	64	45	19	-
SPZ 180 X 6	7	2517	180	184	76	45	15.5	-
SPZ 180 X 8	7	2517	180	184	100	45	27.5	-
SPZ 190 X 1	8	1610	190	194	16	25	-	9
SPZ 190 X 2	8	2012	190	194	28	32	-	4
SPZ 190 X 3	9	2012	190	194	40	32	4	-
SPZ 190 X 4	9	2517	190	194	52	45	3.5	-
SPZ 190 X 5	9	2517	190	194	64	45	9.5	-
SPZ 190 X 6	9	2517	190	194	76	45	15.5	-
SPZ 200 X 1	8	2012	200	204	16	32	-	16
SPZ 200 X 2	8	2012	200	204	28	32	-	4
SPZ 200 X 3	9	2012	200	204	40	32	4	-
SPZ 200 X 4	9	2517	200	204	52	45	3.5	-



## SPZ - SECTION continued

Part No.	Type	Bush No.	PD (mm)	OD (mm)	Dimensions (mm)			
					F	L	R	P
SPZ 200 X 5	9	2517	200	204	52	45	3.5	-
SPZ 200 X 6	9	2517	200	204	76	45	15.5	-
SPZ 200 X 8	7	3020	200	204	100	51	24.5	-
SPZ 212 X 1	8	2012	212	216	16	32	-	16
SPZ 212 X 2	8	2012	212	216	28	32	-	4
SPZ 212 X 3	9	2012	212	216	40	32	4	-
SPZ 212 X 4	9	2517	212	216	52	45	3.5	-
SPZ 212 X 5	9	2517	212	216	64	45	9.5	-
SPZ 212 X 6	9	2517	212	216	76	45	15.5	-
SPZ 224 X 1	13	2012	224	228	16	32	-	16
SPZ 224 X 2	13	2012	224	228	28	32	-	4
SPZ 224 X 3	9	2012	224	228	40	32	4	-
SPZ 224 X 4	9	2517	224	228	52	45	3.5	-
SPZ 224 X 5	9	2517	224	228	64	45	9.5	-
SPZ 224 X 6	9	2517	224	228	76	45	15.5	-
SPZ 224 X 8	7	3020	224	228	100	51	24.5	-
SPZ 250 X 1	11	2012	250	254	16	32	-	8
SPZ 250 X 2	11	2012	250	254	28	32	-	2
SPZ 250 X 3	12	2012	250	254	40	32	4	-
SPZ 250 X 4	9	2517	250	254	52	45	3.5	-
SPZ 250 X 5	9	2517	250	254	64	45	9.5	-
SPZ 250 X 6	9	2517	250	254	76	45	15.5	-
SPZ 280 X 1	11	2012	280	284	16	32	-	8
SPZ 280 X 2	11	2012	280	284	28	32	-	2
SPZ 280 X 3	11	2517	280	284	40	45	-	2.5
SPZ 280 X 4	12	2517	280	284	52	45	3.5	-
SPZ 280 X 5	12	2517	280	284	64	45	9.5	-
SPZ 280 X 6	12	2517	280	284	76	45	15.5	-
SPZ 315 X 1	11	2012	315	319	16	32	-	8
SPZ 315 X 2	11	2012	315	319	28	32	-	2
SPZ 315 X 3	11	2517	315	319	40	45	-	2.5
SPZ 315 X 4	12	2517	315	319	52	45	3.5	-
SPZ 315 X 5	12	2517	315	319	64	45	9.5	-
SPZ 315 X 6	12	2517	315	319	76	45	15.5	-
SPZ 355 X 1	11	2012	355	359	16	32	-	8
SPZ 355 X 2	11	2012	355	359	28	32	-	2
SPZ 355 X 3	11	2517	355	359	40	45	-	2.5
SPZ 355 X 4	12	2517	355	359	52	45	3.5	-
SPZ 355 X 5	12	2517	355	359	64	45	9.5	-
SPZ 355 X 6	12	2517	355	359	76	45	15.5	-
SPZ 400 X 1	11	2012	400	404	16	32	-	8
SPZ 400 X 2	11	2517	400	404	28	45	-	8.5
SPZ 400 X 3	11	2517	400	404	40	45	-	2.5
SPZ 400 X 4	12	2517	400	404	52	45	3.5	-
SPZ 400 X 5	12	3020	400	404	64	51	6.5	-
SPZ 400 X 6	11	3030	400	404	76	76	-	0

## SPZ - SECTION continued

Part No.	Type	Bush No	PD (mm)	OD (mm)	Dimensions (mm)			
					F	L	R	P
SPZ 400 X 6 — R	12	3020	400	404	76	51	12.5	-
SPZ 450 X 2	11	2517	450	454	28	-	-	8.5
SPZ 450 X 3	11	2517	450	454	40	-	-	2.5
SPZ 450 X 4	12	3020	450	454	52	-	0.5	-
SPZ 450 X 5	12	3020	450	454	64	-	6.5	-
SPZ 450 X 6	11	3030	450	454	76	-	-	-
SPZ 450 X 6 — R	12	3020	450	454	76	-	12.5	-
SPZ 500 X 2	11	2517	500	504	28	45	-	8.5
SPZ 500 X 3	11	2517	500	504	40	45	-	2.5
SPZ 500 X 4	12	3020	500	504	52	51	0.5	-
SPZ 500 X 5	11	3030	500	504	64	76	-	6
SPZ 500 X 5 — R	12	3020	500	504	64	51	6.5	-
SPZ 500 X 6	11	3030	500	504	76	76	-	0
SPZ 500 X 6 — R	12	3020	500	504	76	51	12.5	-
SPZ 500 X 8	12	3535	500	504	100	89	5.5	-
SPZ 560 X 3	13	2517	560	564	40	45	-	5
SPZ 560 X 4	12	3020	560	564	52	51	0.5	-
SPZ 560 X 5	11	3030	560	564	64	76	-	6
SPZ 630 X 2	11	3020	630	634	28	51	-	11.5
SPZ 630 X 3	11	3020	630	634	40	51	-	5.5
SPZ 630 X 4	11	3030	630	634	52	76	-	12
SPZ 630 X 4 — R	12	3020	630	634	52	51	0.5	-
SPZ 630 X 5	11	3030	630	634	64	76	-	6
SPZ 630 X 6	11	3535	630	634	76	89	-	6.5
SPZ 800 X 3	11	3020	800	804	40	51	-	5.5
SPZ 800 X 4	11	3030	800	804	52	76	-	12

## SPA - SECTION

Part No.	Type	Bush No.	PD (mm)	OD (mm)	Dimensions (mm)			
					F	L	R	P
SPA 63 X 1	4	1008	63	68.6	20	22	-	-
SPA 63 X 2	5	1008	63	68.6	35	22	13	-
SPA 67 X 1	4	1108	67	72.6	20	22	-	-
SPA 67 X 2	5	1108	67	72.6	35	22	13	-
SPA 71 X 1	4	1108	71	76.6	20	22	-	-
SPA 71 X 2	5	1108	71	76.6	35	22	13	-
SPA 71 X 3	5	1108	71	76.6	50	22	28	-
SPA 75 X 1	4	1108	75	80.6	20	22	-	-
SPA 75 X 2	5	1108	75	80.6	35	22	13	-
SPA 75 X 3	5	1108	75	80.6	50	22	28	-
SPA 80 X 1	4	1210	80	85.6	20	25	-	-
SPA 80 X 2	5	1210	80	85.6	35	25	10	-
SPA 80 X 3	5	1210	80	85.6	50	25	25	-
SPA 80 X 4	5	1215	80	85.6	65	38	27	-
SPA 80 X 4 — R	5	1210	80	85.6	65	25	40	-

## SPA - SECTION

Part No.	Type	Bush No.	PD (mm)	OD (mm)	Dimensions (mm)			
					F	L	R	P
SPA 85 X 1	4	1210	85	90.6	20	25	-	-
SPA 85 X 2	5	1210	85	90.6	35	25	10	-
SPA 85 X 3	5	1210	85	90.6	50	25	25	-
SPA 85 X 4	5	1215	85	90.6	65	38	27	-
SPA 85 X 4 — R	5	1210	85	90.6	65	25	40	-
SPA 90 X 1	4	1210	90	95.6	20	25	-	5
SPA 90 X 2	5	1610	90	95.6	35	25	10	-
SPA 90 X 3	5	1610	90	95.6	50	25	25	-
SPA 90 X 4	5	1615	90	95.6	65	38	27	-
SPA 90 X 4 — R	5	1610	90	95.6	65	25	40	-
SPA 90 X 5	5	1615	90	95.6	80	38	42	-
SPA 95 X 1	4	1210	95	100.6	20	25	-	-
SPA 95 X 2	5	1610	95	100.6	35	25	10	-
SPA 95 X 3	5	1610	95	100.6	50	25	25	-
SPA 95 X 4	5	1615	95	100.6	65	38	27	-
SPA 95 X 5	5	1615	95	100.6	80	38	42	-
SPA 100 X 1	4	1610	100	105.6	20	25	-	-
SPA 100 X 2	5	1610	100	105.6	35	25	10	-
SPA 100 X 3	6	1610	100	105.6	50	25	25	-
SPA 100 X 4	6	1615	100	105.6	65	38	27	-
SPA 100 X 5	6	1615	100	105.6	80	38	42	-
SPA 100 X 6	7	1610	100	105.6	95	25	35	-
SPA 106 X 1	4	1610	106	111.6	20	25	-	-
SPA 106 X 2	5	1610	106	111.6	35	25	10	-
SPA 106 X 3	6	1610	106	111.6	50	25	25	-
SPA 106 X 4	5	2012	106	111.6	65	32	33	-
SPA 106 X 5	5	2012	106	111.6	80	32	48	-
SPA 106 X 6	5	2012	106	111.6	95	32	63	-
SPA 112 X 1	4	1610	112	117.6	20	25	-	-
SPA 112 X 2	5	1610	112	117.6	35	25	10	-
SPA 112 X 3	5	2012	112	117.6	50	32	18	-
SPA 112 X 4	5	2012	112	117.6	65	32	33	-
SPA 112 X 5	5	2012	112	117.6	80	32	48	-
SPA 112 X 6	5	2012	112	117.6	95	32	63	-
SPA 118 X 1	4	1610	118	123.6	20	25	-	-
SPA 118 X 2	5	1610	118	123.6	35	25	10	-
SPA 118 X 3	6	2012	118	123.6	50	32	18	-
SPA 118 X 4	6	2012	118	123.6	65	32	33	-
SPA 118 X 5	6	2012	118	123.6	80	32	48	-
SPA 118 X 6	5	2012	118	123.6	95	32	63	-
SPA 125 X 1	4	1610	125	130.6	20	25	-	-
SPA 125 X 2	5	1610	125	130.6	35	25	10	-
SPA 125 X 3	6	2012	125	130.6	50	32	18	-
SPA 125 X 4	6	2012	125	130.6	65	32	33	-
SPA 125 X 5	7	2012	125	130.6	80	32	24	-
SPA 125 X 6	7	2012	125	130.6	95	32	31.5	-

## SPA - SECTION continued

Part No.	Type	Bush No.	PD (mm)	OD (mm)	Dimensions (mm)			
					F	L	R	P
SPA 132 X 1	4	1610	132	137.6	20	25	-	-
SPA 132 X 2	5	2012	132	137.6	35	32	3	-
SPA 132 X 3	6	2012	132	137.6	50	32	18	-
SPA 132 X 4	6	2517	132	137.6	65	45	20	-
SPA 132 X 5	7	2517	132	137.6	80	45	17.5	-
SPA 132 X 6	7	2517	132	137.6	95	45	25	-
SPA 140 X 1	4	1610	140	145.6	20	25	-	-
SPA 140 X 2	5	2012	140	145.6	35	32	3	-
SPA 140 X 3	5	2517	140	145.6	50	45	5	-
SPA 140 X 4	6	2517	140	145.6	65	45	20	-
SPA 140 X 5	7	2517	140	145.6	80	45	17.5	-
SPA 140 X 6	7	2517	140	145.6	95	45	25	-
SPA 150 X 1	8	1610	150	155.6	20	25	-	5
SPA 150 X 2	5	2012	150	155.6	35	32	3	-
SPA 150 X 3	5	2517	150	155.6	50	45	5	-
SPA 150 X 4	6	2517	150	155.6	65	45	20	-
SPA 150 X 5	7	2517	150	155.6	80	45	17.5	-
SPA 150 X 6	7	2517	150	155.6	95	45	25	-
SPA 160 X 1	8	1610	160	165.6	20	25	-	5
SPA 160 X 2	5	2012	160	165.6	35	32	3	-
SPA 160 X 3	5	2517	160	165.6	50	45	5	-
SPA 160 X 4	6	2517	160	165.6	65	45	20	-
SPA 170 X 1	8	1610	170	175.6	20	25	-	5
SPA 170 X 2	15-1	2012	170	175.6	35	32	3	-
SPA 170 X 3	5	2517	170	175.6	50	45	5	-
SPA 170 X 4	6	2517	170	175.6	65	45	20	-
SPA 170 X 5	7	2517	170	175.6	80	45	17.5	-
SPA 170 X 6	7	2517	170	175.6	95	45	25	-
SPA 180 X 1	8	1610	180	185.6	20	25	-	5
SPA 180 X 2	9	2012	180	185.6	35	32	1.5	-
SPA 180 X 3	5	2517	180	185.6	50	45	5	-
SPA 180 X 4	6	2517	180	185.6	65	45	20	-
SPA 180 X 5	7	3020	180	185.6	80	51	14.5	-
SPA 180 X 6	7	3020	180	185.6	95	51	22	-
SPA 190 X 1	8	1610	190	195.6	20	25	-	5
SPA 190 X 2	15	2012	190	195.6	35	32	3	-
SPA 190 X 3	5	2517	190	195.6	50	45	5	-
SPA 190 X 4	6	2517	190	195.6	65	45	20	-
SPA 190 X 5	6	3020	190	195.6	80	51	29	-
SPA 190 X 6	7	3020	190	195.6	95	51	22	-
SPA 200 X 1	8	2012	200	205.6	20	32	-	12
SPA 200 X 2	10	2517	200	205.6	35	45	-	5
SPA 200 X 3	9	2517	200	205.6	50	45	2.5	-
SPA 200 X 4	6	3020	200	205.6	65	51	14	-
SPA 200 X 5	7	3020	200	205.6	80	51	14.5	-
SPA 200 X 6	7	3020	200	205.6	95	51	22	-

## SPA - SECTION continued

Part No.	Type	Bush No.	PD (mm)	OD (mm)	Dimensions (mm)			
					F	L	R	P
SPA 212 X 1	8	2012	212	217.6	20	32	-	-
SPA 212 X 2	8	2517	212	217.6	35	45	-	-
SPA 212 X 3	9	2517	212	217.6	50	45	2.5	-
SPA 212 X 4	6	3020	212	217.6	65	51	14	-
SPA 212 X 5	6	3020	212	217.6	80	51	29	-
SPA 212 X 6	7	3020	212	217.6	95	51	22	-
SPA 224 X 1	13	2012	224	229.6	20	32	-	12
SPA 224 X 2	13	2517	224	229.6	35	45	-	10
SPA 224 X 3	12	2517	224	229.6	50	45	2.5	-
SPA 224 X 4	6	3020	224	229.6	65	51	14	-
SPA 224 X 5	6	3020	224	229.6	80	51	29	-
SPA 224 X 6	7	3020	224	229.6	95	51	22	-
SPA 236 X 1	13	2012	236	241.6	20	32	-	12
SPA 236 X 2	13	2517	236	241.6	35	45	-	10
SPA 236 X 3	12	2517	236	241.6	50	45	2.5	-
SPA 236 X 4	9	3020	236	241.6	65	51	7	-
SPA 236 X 5	9	3020	236	241.6	80	51	14.5	-
SPA 236 X 6	9	3020	236	241.6	95	51	22	-
SPA 250 X 1	11	2012	250	255.6	20	32	-	6
SPA 250 X 2	11	2517	250	255.6	35	45	-	5
SPA 250 X 3	12	2517	250	255.6	50	45	2.5	-
SPA 250 X 4	9	3020	250	255.6	65	51	7	-
SPA 250 X 5	9	3020	250	255.6	80	51	14.5	-
SPA 250 X 6	9	3020	250	255.6	95	51	22	-
SPA 280 X 1	13	2012	280	285.6	20	32	-	12
SPA 280 X 2	13	2517	280	285.6	35	45	-	10
SPA 280 X 3	12	2517	280	285.6	50	45	2.5	-
SPA 280 X 4	12	3020	280	285.6	65	51	7	-
SPA 280 X 5	10	3535	280	285.6	80	89	-	4.5
SPA 280 X 5 — R	9	3525	280	285.6	80	65	7.5	-
SPA 280 X 6	9	3535	280	285.6	95	89	3	-
SPA 280 X 6 — R	9	3525	280	285.6	95	65	15	-
SPA 300 X 1	13	2012	300	305.6	20	32	-	12
SPA 300 X 2	13	2517	300	305.6	35	45	-	10
SPA 300 X 3	13	3020	300	305.6	50	51	-	1
SPA 300 X 4	12	3020	300	305.6	65	51	7	-
SPA 300 X 5	8	3535	300	305.6	80	89	-	9
SPA 300 X 5 — R	9	3525	300	305.6	80	65	7.5	-
SPA 300 X 6	9	3535	300	305.6	95	89	3	-
SPA 300 X 6 — R	9	3525	300	305.6	95	65	15	-
SPA 315 X 1	13	2012	315	320.6	20	32	-	12
SPA 315 X 2	13	2517	315	320.6	35	45	-	10
SPA 315 X 3	11	3020	315	320.6	50	51	-	0.5
SPA 315 X 4	12	3020	315	320.6	65	51	7	-
SPA 315 X 5	10	3535	315	320.6	80	89	-	4.5

## SPA - SECTION continued

Part No.	Type	Bush No.	PD (mm)	OD (mm)	Dimensions (mm)			
					F	L	R	P
SPA 315 X 5 — R	9	3525	315	320.6	80	65	7.5	-
SPA 315 X 6	9	3535	315	320.6	95	89	3	
SPA 315 X 6 — R	9	3525	315	320.6	95	65	15	-
SPA 355 X 1	13	2012	355	360.6	20	32	-	12
SPA 355 X 2	13	2517	355	360.6	35	45	-	10
SPA 355 X 3	11	3020	355	360.6	50	51	-	0.5
SPA 355 X 4	12	3020	355	360.6	65	51	7	-
SPA 355 X 5	11	3535	355	360.6	80	89	-	4.5
SPA 355 X 5 — R	12	3525	355	360.6	80	65	7.5	-
SPA 355 X 6	12	3535	355	360.6	95	89	3	-
SPA 355 X 6 — R	12	3525	355	360.6	95	65	15	-
SPA 400 X 1	13	2012	400	405.6	20	32	-	12
SPA 400 X 2	13	2517	400	405.6	35	45	-	10
SPA 400 X 3	13	3020	400	405.6	50	51	-	1
SPA 400 X 4	12	3020	400	405.6	65	51	7	-
SPA 400 X 5	11	3535	400	405.6	80	89	-	4.5
SPA 400 X 5 — R	12	3525	400	405.6	80	65	7.5	-
SPA 400 X 6	12	3535	400	405.6	95	89	3	-
SPA 400 X 6 — R	12	3525	400	405.6	95	65	15	-
SPA 450 X 1	13	2012	450	455.6	20	32	-	12
SPA 450 X 2	13	2517	450	455.6	35	45	-	10
SPA 450 X 3	13	3020	450	455.6	50	51	-	1
SPA 450 X 4	12	3020	450	455.6	65	51	7	-
SPA 450 X 5	11	3535	450	455.6	80	89	-	4.5
SPA 450 X 5 — R	12	3525	450	455.6	80	65	7.5	-
SPA 450 X 6	12	3535	450	455.6	95	89	3	-
SPA 450 X 6 — R	12	3525	450	455.6	95	65	15	-
SPA 500 X 1	13	2517	500	505.6	20	45	-	25
SPA 500 X 2	13	2517	500	505.6	35	45	-	10
SPA 500 X 3	13	3020	500	505.6	50	51	-	1
SPA 500 X 4	12	3020	500	505.6	65	51	7	-
SPA 500 X 5	11	3535	500	505.6	80	89	-	4.5
SPA 500 X 5 — R	12	3525	500	505.6	80	65	7.5	-
SPA 500 X 6	12	3535	500	505.6	95	89	3	-
SPA 500 X 6 — R	12	3525	500	505.6	95	65	15	-
SPA 560 X 2	13	3020	560	565.6	35	51	-	16
SPA 560 X 3	13	3020	560	565.6	50	51	-	1
SPA 560 X 4	11	3535	560	565.6	65	89	-	12
SPA 560 X 4 — R	12	3525	560	565.6	65	65	0	-
SPA 560 X 5	11	3535	560	565.6	80	89	-	4.5
SPA 560 X 6	12	3535	560	565.6	95	89	3	-
SPA 630 X 1	11	2517	630	635.6	20	45	-	12.5
SPA 630 X 2	11	3020	630	635.6	35	51	-	8
SPA 630 X 3	13	3020	630	635.6	50	51	-	1
SPA 630 X 4	11	3535	630	635.6	65	89	-	12

**SPA - SECTION continued**

Part No.	Type	Bush No.	PD (mm)	OD (mm)	Dimensions (mm)			
					F	L	R	P
SPA 630 X 4 — R	12	3525	630	635.6	65	65	0	-
SPA 630 X 5	11	3535	630	635.6	80	89	-	4.5
SPA 630 X 5 — R	12	3525	630	635.6	80	65	7.5	-
SPA 630 X 6	11	4040	630	635.6	95	102	-	3.5
SPA 630 X 6 — R	12	4030	630	635.6	95	76	9.5	-
SPA 800 X 2	11	3535	800	805.6	35	89	-	27
SPA 800 X 3	11	3535	800	805.6	50	89	-	19.5
SPA 800 X 3 — R	11	3525	800	805.6	50	65	-	7.5
SPA 800 X 4	11	3535	800	805.6	65	89	-	12
SPA 800 X 4 — R	12	3525	800	805.6	65	65	0	-
SPA 800 X 5	11	4040	800	805.6	80	102	-	11
SPA 800 X 5 — R	12	4030	800	805.6	80	76	2	-
SPA 800 X 6	11	4040	800	805.6	95	102	-	3.5
SPA 800 X 6 — R	12	4030	800	805.6	95	76	9.5	-

**SPB - SECTION**

Part No.	Type	Bush No.	PD (mm)	OD (mm)	Dimensions (mm)			
					F	L	R	P
SPB 80 X 1	5	1108	80	87	25	22	3	-
SPB 80 X 2	5	1108	80	87	44	22	22	-
SPB 85 X 1	5	1108	85	92	25	22	3	-
SPB 85 X 2	5	1108	85	92	44	22	22	-
SPB 90 X 1	1	1210	90	97	25	25	-	-
SPB 90 X 2	5	1108	90	97	44	22	22	-
SPB 90 X 3	5	1210	90	97	63	25	38	-
SPB 95 X 1	1	1210	95	102	25	25	-	-
SPB 95 X 2	5	1210	95	102	44	25	19	-
SPB 95 X 3	5	1210	95	102	63	25	38	-
SPB 100 X 1	1	1610	100	107	25	25	-	-
SPB 100 X 2	5	1610	100	107	44	25	19	-
SPB 100 X 3	5	1610	100	107	63	25	38	-
SPB 100 X 4	5	1615	100	107	82	38	44	-
SPB 106 X 1	1	1610	106	113	25	25	-	-
SPB 106 X 2	5	1610	106	113	44	25	19	-
SPB 106 X 3	5	1610	106	113	63	25	38	-
SPB 106 X 4	5	1615	106	113	82	38	44	-
SPB 112 X 1	1	1610	112	119	25	25	-	-
SPB 112 X 2	5	1610	112	119	44	25	19	-
SPB 112 X 3	5	1610	112	119				-
SPB 112 X 4	5	2012	112	119	82	32	50	-
SPB 118 X 1	1	1610	118	125	25	25	-	-
SPB 118 X 2	6	1610	118	125	44	25	19	-
SPB 118 X 3	6	1610	118	125	63	25	38	-
SPB 118 X 4	5	2012	118	125	82	32	50	-

## SPB - SECTION

Part No.	Type	Bush No.	PD (mm)	OD (mm)	Dimensions (mm)			
					F	L	R	P
SPB 125 X 1	1	1610	125	132	25	25	-	-
SPB 125 X 2	6	2012	125	132	44	32	12	-
SPB 125 X 3	6	2012	125	132	63	32	31	-
SPB 125 X 4	7	2012	125	132	82	32	25	-
SPB 125 X 5	5	2012	125	132	101	32	69	-
SPB 132 X 1	1	1610	132	139	25	25	-	-
SPB 132 X 2	6	2012	132	139	44	32	12	-
SPB 132 X 3	6	2012	132	139	63	32	31	-
SPB 132 X 4	7	2012	132	139	82	32	25	-
SPB 132 X 5	5	2517	132	139	101	45	56	-
SPB 132 X 6	7	2012	132	139	120	32	44	-
SPB 140 X 1	1	1610	140	147	25	25	-	-
SPB 140 X 2	6	2012	140	147	44	32	12	-
SPB 140 X 3	6	2012	140	147	63	32	31	-
SPB 140 X 4	7	2517	140	147	82	45	18.5	-
SPB 140 X 5	7	2517	140	147	101	45	28	-
SPB 140 X 6	7	2517	140	147	120	45	37.5	-
SPB 140 X 8	7	2517	140	147	158	45	56.5	-
SPB 150 X 1	10	1610	150	157	25	25	-	0
SPB 150 X 2	6	2012	150	157	44	32	12	-
SPB 150 X 3	6	2517	150	157	63	45	18	-
SPB 150 X 4	7	2517	150	157	82	45	18.5	-
SPB 150 X 5	7	2517	150	157	101	45	28	-
SPB 150 X 6	7	2517	150	157	120	45	37.5	-
SPB 160 X 1	10	1610	160	167	25	25	-	0
SPB 160 X 2	6	2012	160	167	44	32	12	-
SPB 160 X 3	6	2517	160	167	63	45	18	-
SPB 160 X 4	7	2517	160	167	82	45	18.5	-
SPB 160 X 5	7	2517	160	167	101	45	28	-
SPB 160 X 6	7	3020	160	167	120	51	34.5	-
SPB 160 X 8	7	3020	160	167	158	51	53.5	-
SPB 170 X 1	10	1610	170	177	25	25	-	0
SPB 170 X 2	6	2012	170	177	44	32	12	-
SPB 170 X 3	6	2517	170	177	63	45	18	-
SPB 170 X 4	7	2517	170	177	82	45	18.5	-
SPB 170 X 5	7	3020	170	177	101	51	25	-
SPB 170 X 6	7	3020	170	177	120	51	34.5	-
SPB 170 X 8	7	3030	170	177	158	76	41	-
SPB 170 X 8 — R	7	3020	170	177	158	51	53.5	-
SPB 180 X 1	10	1610	180	187	25	25	-	0
SPB 180 X 2	4	2517	180	187	44	45	-	-
SPB 180 X 3	6	2517	180	187	63	45	18	-
SPB 180 X 4	7	2517	180	187	82	45	18.5	-
SPB 180 X 5	7	3020	180	187	101	51	25	-
SPB 180 X 6	7	3020	180	187	120	51	34.5	-



## SPB - SECTION continued

Part No.	Type	Bush No.	PD (mm)	OD (mm)	Dimensions (mm)			
					F	L	R	P
SPB 180 X 8	7	3030	180	187	158	76	41	-
SPB 180 X 8 — R	7	3020	180	187	158	51	53.5	-
SPB 190 X 1	10	2012	190	197	25	32	-	3.5
SPB 190 X 2	4	2517	190	197	44	45	-	-
SPB 190 X 3	6	2517	190	197	63	45	18	-
SPB 190 X 4	7	2517	190	197	82	45	18.5	-
SPB 190 X 5	7	3020	190	197	101	51	25	-
SPB 190 X 6	7	3020	190	197	120	51	34.5	-
SPB 190 X 8	7	3030	190	197	158	76	41	-
SPB 190 X 8 — R	7	3020	190	197	158	51	53.5	-
SPB 190 X 10	7	3535	190	197	196	89	53.5	-
SPB 200 X 1	10	2012	200	207	25	32	-	3.5
SPB 200 X 2	8	2517	200	207	44	45	-	1
SPB 200 X 3	6	2517	200	207	63	45	18	-
SPB 200 X 4	7	3020	200	207	82	51	15.5	-
SPB 200 X 5	7	3020	200	207	101	51	25	-
SPB 200 X 6	7	3020	200	207	120	51	34.5	-
SPB 200 X 8	7	3535	200	207	158	89	34.5	-
SPB 200 X 8 — R	7	3525	200	207	158	65	46.5	-
SPB 212 X 1	10	2012	212	219	25	32	-	3.5
SPB 212 X 2	8	2517	212	219	44	45	-	1
SPB 212 X 3	15	2517	212	219	63	45	18	-
SPB 212 X 4	7	3020	212	219	82	51	15.5	-
SPB 212 X 5	7	3020	212	219	101	51	25	-
SPB 212 X 6	7	3525	212	219	120	89	15.5	-
SPB 212 X 6 — R	7	3525	212	219	120	65	27.5	-
SPB 212 X 8	7	3525	212	219	158	89	34.5	-
SPB 212 X 8 — R	7	3525	212	219	158	65	46.5	-
SPB 212 X 10	7	3535	212	219	196	89	53.5	-
SPB 212 X 12	7	3535	212	219	234	89	72.5	-
SPB 224 X 1	10	2012	224	231	25	32	-	3.5
SPB 224 X 2	8	2517	224	231	44	45	-	1
SPB 224 X 3	15	2517	224	231	63	45	18	-
SPB 224 X 4	7	3020	224	231	82	51	15.5	-
SPB 224 X 5	7	3020	224	231	101	51	25	-
SPB 224 X 6	7	3535	224	231	120	89	15.5	-
SPB 224 X 6 — R	7	3525	224	231	120	65	27.5	-
SPB 224 X 8	7	3535	224	231	158	89	34.5	-
SPB 224 X 8 — R	7	3525	224	231	158	65	46.5	-
SPB 224 X 10	7	3535	224	231	196	89	53.5	-
SPB 236 X 1	10	2012	236	243	25	32	-	3.5
SPB 236 X 2	8	2517	236	243	44	45	-	1
SPB 236 X 3	15	2517	236	243	63	45	18	-
SPB 236 X 4	9	3020	236	243	82	51	15.5	-
SPB 236 X 5	7	3535	236	243	101	89	6	-

## SPB - SECTION continued

Part No.	Type	Bush No.	PD (mm)	OD (mm)	Dimensions (mm)			
					F	L	R	P
SPB 236 X 5 — R	7	3525	236	243	101	65	18	-
SPB 236 X 6	7	3535	236	243	120	89	15.5	-
SPB 236 X 6 — R	7	3525	236	243	120	65	27.5	-
SPB 236 X 8	7	3535	236	243	158	89	34.5	-
SPB 236 X 8 — R	7	3525	236	243	158	65	46.5	-
SPB 236 X 10	7	3535	236	243	196	89	53.5	-
SPB 250 X 1	10	2012	250	257	25	32	-	3.5
SPB 250 X 2	8	2517	250	257	44	45	-	1
SPB 250 X 3	15	3020	250	257	63	51	12	-
SPB 250 X 4	9	3020	250	257	82	51	15.5	-
SPB 250 X 5	7	3535	250	257	101	89	6	-
SPB 250 X 5 — R	7	3525	250	257	101	65	18	-
SPB 250 X 6	7	3535	250	257	120	89	15.5	-
SPB 250 X 6 — R	7	3525	250	257	120	65	27.5	-
SPB 250 X 8	7	3535	250	257	158	89	34.5	-
SPB 250 X 8 — R	7	3525	250	257	158	65	46.5	-
SPB 250 X 10	7	3535	250	257	196	89	53.5	-
SPB 250 X 10 — R	7	3525	250	257	196	65	65.5	-
SPB 265 X 1	13	2012	265	272	25	32	-	7
SPB 265 X 2	13	2517	265	272	44	45	-	1
SPB 265 X 3	9	3020	265	272	63	51	6	-
SPB 265 X 4	9	3020	265	272	82	51	15.5	-
SPB 265 X 5	7	3535	265	272	101	89	6	-
SPB 265 X 6	7	3535	265	272	120	89	15.5	-
SPB 265 X 6 — R	7	3525	265	272	120	65	27.5	-
SPB 265 X 8	7	3535	265	272	158	89	34.5	-
SPB 265 X 8 — R	7	3525	265	272	158	65	46.5	-
SPB 280 X 1	11	2012	280	287	25	32	-	3.5
SPB 280 X 2	13	2517	280	287	44	45	-	1
SPB 280 X 3	12	3020	280	287	63	51	6	-
SPB 280 X 4	9	3020	280	287	82	51	15.5	-
SPB 280 X 5	9	3535	280	287	101	89	6	-
SPB 280 X 5 — R	9	3525	280	287	101	65	18	-
SPB 280 X 6	9	3535	280	287	120	89	15.5	-
SPB 280 X 6 — R	9	3525	280	287	120	65	27.5	-
SPB 280 X 8	9	3535	280	287	158	89	34.5	-
SPB 280 X 8 — R	9	3525	280	287	158	65	46.5	-
SPB 280 X 10	9	3535	280	287	196	89	53.5	-
SPB 280 X 10 — R	9	3525	280	287	196	65	65.5	-
SPB 300 X 1	13	2012	300	307	25	32	-	7
SPB 300 X 2	13	2517	300	307	44	45	-	1
SPB 300 X 3	12	3020	300	307	63	51	6	-
SPB 300 X 4	8	3535	300	307	82	89	-	7
SPB 300 X 4 — R	9	3525	300	307	82	65	8.5	-
SPB 300 X 5	9	3535	300	307	101	89	6	-

## SPB - SECTION continued

Part No.	Type	Bush No.	PD (mm)	OD (mm)	Dimensions (mm)			
					F	L	R	P
SPB 300 X 5 — R	9	3525	300	307	101	65	18	-
SPB 300 X 6	9	3535	300	307	120	89	15.5	-
SPB 300 X 6 — R	9	3525	300	307	120	65	27.5	-
SPB 300 X 8	9	3535	300	307	158	89	34.5	-
SPB 300 X 8 — R	9	3525	300	307	158	65	46.5	-
SPB 300 X 10	9	3535	300	307	196	89	53.5	-
SPB 315 X 1	11	2012	315	322	25	32	-	3.5
SPB 315 X 2	13	2517	315	322	44	45	-	1
SPB 315 X 3	12	3020	315	322	63	51	6	-
SPB 315 X 4	11	3535	315	322	82	89	-	3.5
SPB 315 X 4 — R	12	3525	315	322	82	65	8.5	-
SPB 315 X 5	9	3535	315	322	101	89	6	-
SPB 315 X 5 — R	9	3525	315	322	101	65	18	-
SPB 315 X 6	9	3535	315	322	120	89	15.5	-
SPB 315 X 6 — R	9	3525	315	322	120	65	27.5	-
SPB 315 X 8	9	3535	315	322	158	89	34.5	-
SPB 315 X 8 — R	9	3525	315	322	158	65	46.5	-
SPB 315 X 10	9	3535	315	322	196	89	53.5	-
SPB 335 X 1	11	2517	335	342	25	45	-	10
SPB 335 X 2	13	2517	335	342	44	45	-	1
SPB 335 X 3	12	3020	335	342	63	51	6	-
SPB 335 X 4	11	3535	335	342	82	89	-	3.5
SPB 335 X 4 — R	12	3525	335	342	82	65	8.5	-
SPB 335 X 5	9	3535	335	342	101	89	6	-
SPB 335 X 5 — R	9	3525	335	342	101	65	18	-
SPB 335 X 6	9	3535	335	342	120	89	15.5	-
SPB 335 X 6 — R	9	3525	335	342	120	65	27.5	-
SPB 335 X 8	9	3535	335	342	158	89	34.5	-
SPB 335 X 8 — R	9	3525	335	342	158	65	46.5	-
SPB 335 X 10	9	3535	335	342	196	89	53.5	-
SPB 355 X 2	11	3020	355	362	44	51	-	3.5
SPB 355 X 3	12	3020	355	362	63	51	6	-
SPB 355 X 4	11	3535	355	362	82	89	-	3.5
SPB 355 X 5	9	3535	355	362	101	89	6	-
SPB 355 X 5 — R	9	3525	355	362	101	65	18	-
SPB 355 X 6	9	3535	355	362	120	89	15.5	-
SPB 355 X 6 — R	9	3525	355	362	120	65	27.5	-
SPB 355 X 8	9	3535	355	362	158	89	34.5	-
SPB 355 X 8 — R	9	3525	355	362	158	65	46.5	-
SPB 355 X 10	9	4040	355	362	196	102	47	-
SPB 400 X 1	11	2517	400	407	25	45	-	10
SPB 400 X 2	11	3020	400	407	44	51	-	3.5
SPB 400 X 3	11	3535	400	407	63	89	-	13
SPB 400 X 4	11	3535	400	407	82	89	-	3.5
SPB 400 X 5	12	3535	400	407	101	89	6	-

## SPB - SECTION continued

Part No.	Type	Bush No.	PD (mm)	OD (mm)	Dimensions (mm)			
					F	L	R	P
SPB 400 X 5 — R	12	3525	400	407	101	65	18	-
SPB 400 X 6	12	3535	400	407	120	89	15.5	-
SPB 400 X 6 — R	12	3525	400	407	120	65	27.5	-
SPB 400 X 8	9	4040	400	407	158	102	28	-
SPB 400 X 8 — R	9	3525	400	407	158	65	46.5	-
SPB 400 X 10	9	4040	400	407	196	102	47	-
SPB 450 X 2	11	3020	450	457	44	51	-	3.5
SPB 450 X 3	13	3535	450	457	63	89	-	26
SPB 450 X 3 — R	13	3525	450	457	63	65	-	2
SPB 450 X 4	13	3535	450	457	82	89	-	7
SPB 450 X 4 — R	16	3525	450	457	82	65	17	-
SPB 450 X 5	16	3535	450	457	101	89	12	-
SPB 450 X 5 — R	16	3525	450	457	101	65	36	-
SPB 450 X 6	16	4040	450	457	120	102	18	-
SPB 450 X 6 — R	16	3525	450	457	120	65	55	-
SPB 450 X 8	12	4040	450	457	158	102	28	-
SPB 450 X 8 — R	12	3525	450	457	158	65	46.5	-
SPB 450 X 10	12	4545	450	457	196	114	41	-
SPB 500 X 2	11	3020	500	507	44	51	-	3.5
SPB 500 X 3	13	3535	500	507	63	89	-	26
SPB 500 X 3 — R	13	3525	500	507	63	65	-	2
SPB 500 X 4	13	3535	500	507	82	89	-	7
SPB 500 X 4 — R	16	3525	500	507	82	65	17	-
SPB 500 X 5	16	3535	500	507	101	89	12	-
SPB 500 X 5 — R	16	3525	500	507	101	65	36	-
SPB 500 X 6	16	4040	500	507	120	102	18	-
SPB 500 X 6 — R	16	3525	500	507	120	65	55	-
SPB 500 X 8	12	4040	500	507	158	102	28	-
SPB 500 X 8 — R	12	3525	500	507	158	65	46.5	-
SPB 500 X 10	12	4545	500	507	196	114	41	-
SPB 560 X 2	17	3030	560	567	44	76	-	28.5
SPB 560 X 2 — R	11	3020	560	567	44	51	-	3.5
SPB 560 X 3	13	3535	560	567	63	89	-	26
SPB 560 X 3 — R	13	3525	560	567	63	65	-	2
SPB 560 X 4	13	3535	560	567	82	89	-	7
SPB 560 X 4 — R	16	3525	560	567	82	65	17	-
SPB 560 X 5	13	4040	560	567	101	102	-	1
SPB 560 X 5 — R	16	3525	560	567	101	65	36	-
SPB 560 X 6	16	4040	560	567	120	102	18	-
SPB 560 X 6 — R	16	3525	560	567	120	65	55	-
SPB 560 X 8	12	4545	560	567	158	114	22	-
SPB 560 X 8 — R	12	4030	560	567	158	76	41	-
SPB 560 X 10	12	4545	560	567	196	114	41	-
SPB 630 X 2	11	3030	630	637	44	76	-	16
SPB 630 X 2 — R	11	3020	630	637	44	51	-	3.5

## SPB - SECTION continued

Part No.	Type	Bush No.	PD (mm)	OD (mm)	Dimensions (mm)			
					F	L	R	P
SPB 630 X 3	13	3535	630	637	63	89	-	26
SPB 630 X 3 — R	13	3525	630	637	63	65	-	2
SPB 630 X 4	13	3535	630	637	82	89	-	7
SPB 630 X 4 — R	16	3525	630	637	82	65	17	-
SPB 630 X 5	13	4040	630	637	101	102	-	1
SPB 630 X 5 — R	16	3525	630	637	101	65	36	-
SPB 630 X 6	16	4040	630	637	101	65	18	-
SPB 630 X 6 — R	16	3525	630	637	120	102	55	-
SPB 630 X 8	12	4545	630	637	158	114	22	-
SPB 630 X 8 — R	12	4030	630	637	158	76	41	-
SPB 630 X 10	12	4545	630	637	196	114	41	-
SPB 710 X 2	11	3030	710	717	44	76	-	16
SPB 710 X 3	11	3535	710	717	63	89	-	13
SPB 710 X 3 — R	11	3525	710	717	63	65	-	1
SPB 710 X 4	11	3535	710	717	82	89	-	3.5
SPB 710 X 4 — R	12	3525	710	717	82	65	8.5	-
SPB 710 X 5	13	4040	710	717	101	102	-	1
SPB 710 X 5 — R	12	4030	710	717	101	76	12.5	-
SPB 710 X 6	12	4040	710	717	120	102	9	-
SPB 710 X 6 — R	12	4535	710	717	120	89	15.5	-
SPB 710 X 8	12	4545	710	717	158	114	22	-
SPB 710 X 8 — R	12	4535	710	717	158	89	34.5	-
SPB 710 X 10	12	4545	710	717	196	114	41	-
SPB 800 X 3	11	3535	800	807	63	89	-	13
SPB 800 X 3 — R	11	3525	800	807	63	65	-	1
SPB 800 X 4	11	4040	800	807	82	102	-	10
SPB 800 X 4 — R	12	4030	800	807	82	76	3	-
SPB 800 X 5	13	4040	800	807	101	102	-	1
SPB 800 X 5 — R	12	4030	800	807	101	76	12.5	-
SPB 800 X 6	12	4545	800	807	120	114	3	-
SPB 800 X 6 — R	12	4535	800	807	120	89	15.5	-
SPB 800 X 8	12	4545	800	807	158	114	22	-
SPB 800 X 8 — R	12	4535	800	807	158	89	34.5	-
SPB 800 X 10	12	4545	800	807	196	114	41	-
SPB 1000 X 3	11	4040	1000	1007	63	102	-	19.5
SPB 1000 X 3 — R	11	4030	1000	1007	63	76	-	6.5
SPB 1000 X 4	11	4040	1000	1007	82	102	-	10
SPB 1000 X 4 — R	12	4030	1000	1007	82	76	3	-
SPB 1000 X 5	11	4545	1000	1007	101	114	-	6.5
SPB 1000 X 5 — R	12	4535	1000	1007	101	89	6	-
SPB 1000 X 6	12	4545	1000	1007	120	114	3	-
SPB 1000 X 6 — R	12	4535	1000	1007	120	89	15.5	-
SPB 1000 X 8	12	5050	1000	1007	158	127	15.5	-
SPB 1000 X 8 — R	12	4535	1000	1007	158	89	34.5	-
SPB 1000 X 10	12	5050	1000	1007	196	127	34.5	-

**SPB - SECTION continued**

Part No.	Type	Bush No.	PD (mm)	OD (mm)	Dimensions (mm)			
					F	L	R	P
SPB 1250 X 3	11	4545	1250	1257	63	114	-	25.5
SPB 1250 X 3 — R	11	4535	1250	1257	63	89	-	13
SPB 1250 X 4	11	4545	1250	1257	82	114	-	16
SPB 1250 X 4 — R	11	4535	1250	1257	82	89	-	3.5
SPB 1250 X 5	11	4545	1250	1257	101	114	-	6.5
SPB 1250 X 5 — R	12	4535	1250	1257	101	89	6	-
SPB 1250 X 6	12	4545	1250	1257	120	114	3	-
SPB 1250 X 6 — R	12	4535	1250	1257	120	89	15.5	-
SPB 1250 X 8	12	5050	1250	1257	158	127	15.5	-
SPB 1250 X 8 — R	12	5040	1250	1257	158	114	22	-
SPB 1250 X 12	12	5050	1250	1257	234	127	53.5	-

**SPC - SECTION**

Part No.	Type	Bush No.	PD (mm)	OD (mm)	Dimensions (mm)			
					F	L	R	P
SPC 200 X 2	7	2517	200	209.6	59.5	45	7.3	-
SPC 200 X 3	7	2517	200	209.6	85	45	20	-
SPC 200 X 4	7	3020	200	209.6	110.5	51	29.8	-
SPC 200 X 5	7	3535	200	209.6	136	89	23.5	-
SPC 200 X 5 — R	7	3525	200	209.6	136	65	35.5	-
SPC 200 X 6	7	3535	200	209.6	161.5	89	36.3	-
SPC 200 X 6 — R	7	3525	200	209.6	161.5	65	48.3	-
SPC 200 X 8	7	3535	200	209.6	212.5	89	61.8	-
SPC 200 X 8 — R	7	3525	200	209.6	212.5	65	73.8	-
SPC 212 X 2	9	2517	212	221.6	59.5	45	7.3	-
SPC 212 X 3	7	3020	212	221.6	85	51	17	-
SPC 212 X 4	7	3020	212	221.6	110.5	51	29.8	-
SPC 212 X 5	7	3535	212	221.6	136	89	23.5	-
SPC 212 X 5 — R	7	3525	212	221.6	136	65	35.5	-
SPC 212 X 6	7	3535	212	221.6	161.5	89	36.3	-
SPC 212 X 6 — R	7	3525	212	221.6	161.5	65	48.3	-
SPC 212 X 8	7	3535	212	221.6	212.5	89	61.8	-
SPC 212 X 8 — R	7	3525	212	221.6	212.5	65	73.8	-
SPC 212 X 10	7	3535	212	221.6	263.5	89	87.3	-
SPC 224 X 2	7	3020	224	233.6	59.5	51	4.3	-
SPC 224 X 3	7	3020	224	233.6	85	51	17	-
SPC 224 X 4	7	3535	224	233.6	110.5	89	10.8	-
SPC 224 X 4 — R	7	3525	224	233.6	110.5	65	22.8	-
SPC 224 X 5	7	3535	224	233.6	136	89	23.5	-
SPC 224 X 5 — R	7	3525	224	233.6	136	65	35.5	-
SPC 224 X 6	7	3535	224	233.6	161.5	89	36.3	-
SPC 224 X 6 — R	7	3525	224	233.6	161.5	65	48.3	-
SPC 224 X 8	7	3535	224	233.6	212.5	89	61.8	-
SPC 224 X 8 — R	7	3525	224	233.6	212.5	65	73.8	-

## SPC - SECTION continued

Part No.	Type	Bush No.	PD (mm)	OD (mm)	Dimensions (mm)			
					F	L	R	P
SPC 224 X 10	7	4040	224	233.6	263.5	102	80.8	-
SPC 236 X 2	9	2517	236	245.6	59.5	51	4.3	-
SPC 236 X 3	7	3020	236	245.6	85	51	17	-
SPC 236 X 4	7	3535	236	245.6	110.5	89	10.8	-
SPC 236 X 4 — R	7	3525	236	245.6	110.5	65	22.8	-
SPC 236 X 5	7	3535	236	245.6	136	89	23.5	-
SPC 236 X 5 — R	7	3525	236	245.6	136	65	35.5	-
SPC 236 X 6	7	3535	236	245.6	161.5	89	36.3	-
SPC 236 X 6 — R	7	3525	236	245.6	161.5	65	48.3	-
SPC 236 X 8	7	3535	236	245.6	212.5	89	61.8	-
SPC 236 X 8 — R	7	3525	236	245.6	212.5	65	73.8	-
SPC 236 X 10	7	4040	236	245.6	263.5	102	80.8	-
SPC 250 X 1	10	3020	250	259.6	34	51	-	8.5
SPC 250 X 2	9	3020	250	259.6	59.5	51	4.3	-
SPC 250 X 3	7	3020	250	259.6	85	51	17	-
SPC 250 X 4	7	3535	250	259.6	110.5	89	10.8	-
SPC 250 X 4 — R	7	3525	250	259.6	110.5	65	22.8	-
SPC 250 X 5	7	3535	250	259.6	136	89	23.5	-
SPC 250 X 5 — R	7	3525	250	259.6	136	65	35.5	-
SPC 250 X 6	7	3535	250	259.6	161.5	89	36.3	-
SPC 250 X 6 — R	7	3525	250	259.6	161.5	65	48.3	-
SPC 250 X 8	7	3535	250	259.6	212.5	89	61.8	-
SPC 250 X 8 — R	7	3525	250	259.6	212.5	65	73.8	-
SPC 250 X 10	7	4040	250	259.6	263.5	102	80.8	-
SPC 265 X 2	9	3020	265	274.6	59.5	51	4.3	-
SPC 265 X 3	4	3535	265	274.6	85	89	-	-
SPC 265 X 3 — R	7	3525	265	274.6	85	65	10	-
SPC 265 X 4	7	3535	265	274.6	110.5	89	10.8	-
SPC 265 X 4 — R	7	3525	265	274.6	110.5	65	22.8	-
SPC 265 X 5	7	3535	265	274.6	136	89	23.5	-
SPC 265 X 5 — R	7	3525	265	274.6	136	65	35.5	-
SPC 265 X 6	7	3535	265	274.6	161.5	89	36.3	-
SPC 265 X 6 — R	7	3525	265	274.6	161.5	65	48.3	-
SPC 265 X 8	7	3535	265	274.6	212.5	89	61.8	-
SPC 265 X 8 — R	7	3525	265	274.6	212.5	65	73.8	-
SPC 265 X 10	7	4040	265	274.6	263.5	102	80.8	-
SPC 280 X 2	9	3020	280	289.6	59.5	51	4.3	-
SPC 280 X 3	8	3535	280	289.6	85	89	-	4
SPC 280 X 3 — R	9	3525	280	289.6	85	65	10	-
SPC 280 X 4	9	3535	280	289.6	110.5	89	10.8	-
SPC 280 X 4 — R	9	3525	280	289.6	110.5	65	22.8	-
SPC 280 X 5	9	3535	280	289.6	136	89	23.5	-
SPC 280 X 5 — R	9	3525	280	289.6	136	65	35.5	-
SPC 280 X 6	9	3535	280	289.6	161.5	89	36.3	-
SPC 280 X 6 — R	9	3525	280	289.6	161.5	65	48.3	-

## SPC - SECTION continued

Part No.	Type	Bush No.	PD (mm)	OD (mm)	Dimensions (mm)			
					F	L	R	P
SPC 280 X 8	7	3535	280	289.6	212.5	89	61.8	-
SPC 280 X 8 — R	7	3525	280	289.6	212.5	65	73.8	-
SPC 280 X 10	7	4040	280	289.6	263.5	102	80.8	-
SPC 300 X 2	9	3020	300	309.6	59.5	51	4.3	-
SPC 300 X 3	10	3535	300	309.6	85	89	-	2
SPC 300 X 3 — R	9	3525	300	309.6	85	65	10	-
SPC 300 X 4	9	3535	300	309.6	110.5	89	10.8	-
SPC 300 X 4 — R	9	3525	300	309.6	110.5	65	22.8	-
SPC 300 X 5	9	3535	300	309.6	136	89	23.5	-
SPC 300 X 5 — R	9	3525	300	309.6	136	65	35.5	-
SPC 300 X 6	9	3535	300	309.6	161.5	89	36.3	-
SPC 300 X 6 — R	9	3525	300	309.6	161.5	65	48.3	-
SPC 300 X 8	7	4040	300	309.6	212.5	102	55.3	-
SPC 300 X 8 — R	9	3525	300	309.6	212.5	65	73.8	-
SPC 300 X 10	7	4545	300	309.6	263.5	114	74.8	-
SPC 300 X 10 — R	7	4535	300	309.6	263.5	89	87.3	-
SPC 315 X 2	9	3020	315	324.6	59.5	51	4.3	-
SPC 315 X 3	10	3535	315	324.6	85	89	-	2
SPC 315 X 3 — R	9	3525	315	324.6	85	65	10	-
SPC 315 X 4	9	3535	315	324.6	110.5	89	10.8	-
SPC 315 X 4 — R	9	3525	315	324.6	110.5	65	22.8	-
SPC 315 X 5	9	3535	315	324.6	136	89	23.5	-
SPC 315 X 5 — R	9	3525	315	324.6	136	65	35.5	-
SPC 315 X 6	9	3535	315	324.6	161.5	89	36.3	-
SPC 315 X 6 — R	9	3525	315	324.6	161.5	65	48.3	-
SPC 315 X 8	7	4040	315	324.6	212.5	102	55.3	-
SPC 315 X 8 — R	9	3525	315	324.6	212.5	65	73.8	-
SPC 315 X 10	7	4545	315	324.6	263.5	114	74.8	-
SPC 335 X 2	12	3020	335	344.6	59.5	51	4.3	-
SPC 335 X 3	11	3535	335	344.6	85	89	-	2
SPC 335 X 3 — R	12	3525	335	344.6	85	65	10	-
SPC 335 X 4	12	3535	335	344.6	110.5	89	10.8	-
SPC 335 X 4 — R	12	3525	335	344.6	110.5	65	22.8	-
SPC 335 X 5	9	3535	335	344.6	136	89	23.5	-
SPC 335 X 5 — R	9	3525	335	344.6	136	65	35.5	-
SPC 335 X 6	9	3535	335	344.6	161.5	89	36.3	-
SPC 335 X 6 — R	9	3525	335	344.6	161.5	65	48.3	-
SPC 335 X 8	9	4040	335	344.6	212.5	102	55.3	-
SPC 335 X 8 — R	9	3525	335	344.6	212.5	65	73.8	-
SPC 335 X 10	7	4545	335	344.6	263.5	114	74.8	-
SPC 355 X 2	12	3020	355	364.6	59.5	51	4.3	-
SPC 355 X 3	11	3535	355	364.6	85	89	-	2
SPC 355 X 3 — R	12	3525	355	364.6	85	65	10	-
SPC 355 X 4	12	3535	355	364.6	110.5	89	10.8	-
SPC 355 X 4 — R	12	3525	355	364.6	110.5	65	22.8	-



## SPC - SECTION continued

Part No.	Type	Bush No.	PD (mm)	OD (mm)	Dimensions (mm)			
					F	L	R	P
SPC 355 X 5	12	3535	355	364.6	136	89	23.5	-
SPC 355 X 5 — R	12	3525	355	364.6	136	65	35.5	-
SPC 355 X 6	9	3535	355	364.6	161.5	89	36.3	-
SPC 355 X 6 — R	9	3525	355	364.6	161.5	65	48.3	-
SPC 355 X 8	9	4040	355	364.6	212.5	102	55.3	-
SPC 355 X 8 — R	9	3525	355	364.6	212.5	65	73.8	-
SPC 355 X 10	7	4040	355	364.6	263.5	102	80.8	-
SPC 375 X 2	12	3020	375	384.6	59.5	51	4.3	-
SPC 375 X 3	11	3535	375	384.6	85	89	-	2
SPC 375 X 3 — R	12	3525	375	384.6	85	65	10	-
SPC 375 X 4	12	3535	375	384.6	110.5	89	10.8	-
SPC 375 X 4 — R	12	3525	375	384.6	110.5	65	22.8	-
SPC 375 X 5	12	3535	375	384.6	136	89	23.5	-
SPC 375 X 5 — R	12	3525	375	384.6	136	65	35.5	-
SPC 375 X 6	9	4040	375	384.6	161.5	102	29.8	-
SPC 375 X 6 — R	9	3525	375	384.6	161.5	65	48.3	-
SPC 375 X 8	9	4545	375	384.6	212.5	114	49.3	-
SPC 375 X 8 — R	9	4030	375	384.6	212.5	76	68.3	-
SPC 375 X 10	9	4545	375	384.6	263.5	114	74.8	-
SPC 375 X 10 — R	9	4535	375	384.6	263.5	89	87.3	-
SPC 375 X 12	7	5050	375	384.6	314.5	127	93.8	-
SPC 400 X 2	11	3525	400	409.6	59.5	64	-	2.3
SPC 400 X 3	11	3535	400	409.6	85	89	-	2
SPC 400 X 3 — R	12	3525	400	409.6	85	65	10	-
SPC 400 X 4	12	3535	400	409.6	110.5	89	10.8	-
SPC 400 X 4 — R	12	3525	400	409.6	110.5	65	22.8	-
SPC 400 X 5	12	3535	400	409.6	136	89	23.5	-
SPC 400 X 5 — R	12	3525	400	409.6	136	65	35.5	-
SPC 400 X 6	9	4040	400	409.6	161.5	102	29.8	-
SPC 400 X 6 — R	9	3525	400	409.6	161.5	65	48.3	-
SPC 400 X 8	9	4545	400	409.6	212.5	114	49.3	-
SPC 400 X 8 — R	9	4030	400	409.6	212.5	76	68.3	-
SPC 400 X 10	9	5050	400	409.6	263.5	127	68.3	-
SPC 400 X 10 — R	9	5040	400	409.6	263.5	102	80.8	-
SPC 400 X 12	9	5050	400	409.6	314.5	127	93.8	-
SPC 425 X 3	11	3535	425	434.6	85	89	-	2
SPC 425 X 3 — R	12	3525	425	434.6	85	65	10	-
SPC 425 X 4	12	3535	425	434.6	110.5	89	10.8	-
SPC 425 X 4 — R	18	3525	425	434.6	110.5	65	10	-
SPC 425 X 5	12	3535	425	434.6	136	89	23.5	-
SPC 425 X 5 — R	18	3525	425	434.6	136	65	10	-
SPC 425 X 6	9	4040	425	434.6	161.5	102	29.8	-
SPC 425 X 6 — R	18	4535	425	434.6	161.5	89	43	-
SPC 425 X 8	9	4545	425	434.6	212.5	114	49.3	-
SPC 425 X 8 — R	19	4535	425	434.6	212.5	89	43	-

## SPC - SECTION continued

Part No.	Type	Bush No.	PD (mm)	OD (mm)	Dimensions (mm)			
					F	L	R	P
SPC 425 X 10	9	5050	425	434.6	263.5	127	68.3	-
SPC 425 X 10 — R	9	5040	425	434.6	263.5	102	80.8	-
SPC 450 X 2	11	3535	450	459.6	59.5	89	-	14.8
SPC 450 X 3	11	3535	450	459.6	85	89	-	2
SPC 450 X 3 — R	12	3525	450	459.6	85	65	10	-
SPC 450 X 4	12	3535	450	459.6	110.5	89	10.8	-
SPC 450 X 4 — R	18	3525	450	459.6	110.5	65	1	-
SPC 450 X 5	12	4040	450	459.6	136	102	17	-
SPC 450 X 5 — R	18	3525	450	459.6	136	65	10	-
SPC 450 X 6	9	4545	450	459.6	161.5	114	23.8	-
SPC 450 X 6 — R	18	4535	450	459.6	161.5	89	43	-
SPC 450 X 8	9	5050	450	459.6	212.5	127	42.8	-
SPC 450 X 8 — R	19	4535	450	459.6	212.5	89	43	-
SPC 450 X 10	9	5050	450	459.6	263.5	127	68.3	-
SPC 450 X 10 — R	9	5040	450	459.6	263.5	102	80.8	-
SPC 450 X 12	9	5050	450	459.6	314.5	127	93.8	-
SPC 475 X 3	11	3535	475	484.6	85	89	-	2
SPC 475 X 3 — R	12	3525	475	484.6	85	65	10	-
SPC 475 X 4	12	3535	475	484.6	110.5	89	10.8	-
SPC 475 X 4 — R	18	3525	475	484.6	110.5	65	10	-
SPC 475 X 5	12	4040	475	484.6	136	102	17	-
SPC 475 X 5 — R	18	3525	475	484.6	136	65	10	-
SPC 475 X 6	9	4545	475	484.6	161.5	114	23.8	-
SPC 475 X 6 — R	18	4535	475	484.6	161.5	89	43	-
SPC 475 X 8	9	5050	475	484.6	212.5	127	42.8	-
SPC 475 X 8 — R	18	4535	475	484.6	212.5	89	43	-
SPC 475 X 10	9	5050	475	484.6	263.5	127	68.3	-
SPC 500 X 3	11	3535	500	509.6	85	89	-	2
SPC 500 X 3 — R	12	3525	500	509.6	85	65	10	-
SPC 500 X 4	12	3535	500	509.6	110.5	89	10.8	-
SPC 500 X 4 — R	18	3525	500	509.6	110.5	65	10	-
SPC 500 X 5	12	4040	500	509.6	136	102	17	-
SPC 500 X 5 — R	18	3525	500	509.6	136	65	10	-
SPC 500 X 6	12	4545	500	509.6	161.5	114	23.8	-
SPC 500 X 6 — R	18	4535	500	509.6	161.5	89	43	-
SPC 500 X 8	9	5050	500	509.6	212.5	127	42.8	-
SPC 500 X 8 — R	18	4535	500	509.6	212.5	89	43	-
SPC 500 X 10	9	5050	500	509.6	263.5	127	68.3	-
SPC 500 X 12	9	5050	500	509.6	314.5	127	93.8	-
SPC 530 X 3	11	3535	530	539.6	85	89	-	2
SPC 530 X 3 — R	12	3525	530	539.6	85	65	10	-
SPC 530 X 4	12	4040	530	539.6	110.5	102	4.3	-
SPC 530 X 4 — R	18	3525	530	539.6	110.5	65	10	-
SPC 530 X 5	12	4545	530	539.6	136	114	11	-
SPC 530 X 5 — R	18	4535	530	539.6	136	89	43	-

## SPC - SECTION continued

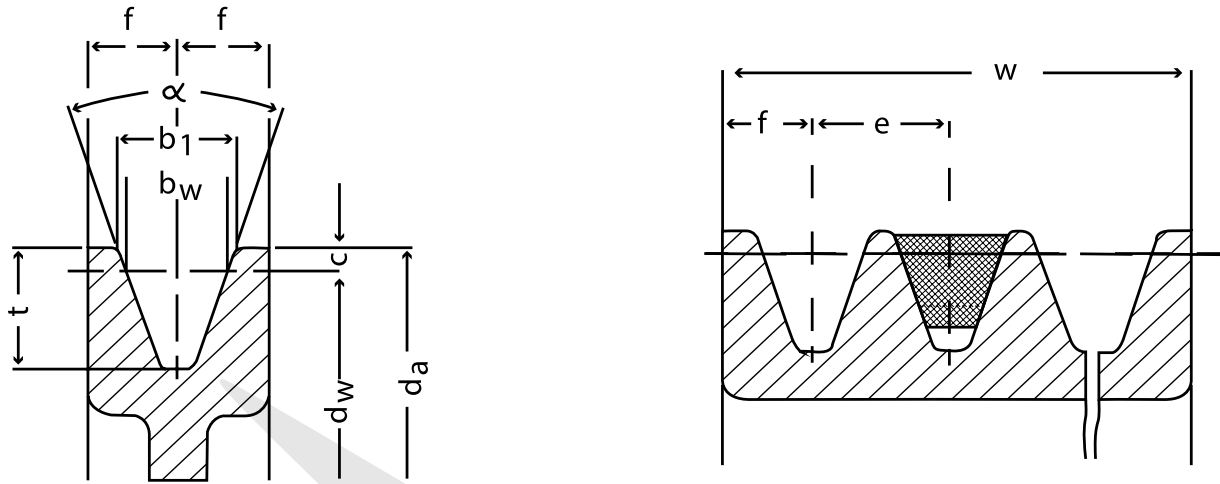
Part No.	Type	Bush No.	Bush No.	Type	Dimensions (mm)			
					F	L	R	P
SPC 530 X 6	12	5050	530	539.6	161.5	127	17.3	-
SPC 530 X 6 — R	18	4535	530	539.6	161.5	89	43	-
SPC 530 X 8	9	5050	530	539.6	212.5	127	42.8	-
SPC 530 X 8 — R	18	4535	530	539.6	212.5	89	43	-
SPC 530 X 10	9	5050	530	539.6	263.5	127	68.3	-
SPC 560 X 2	11	3535	560	569.6	59.5	89	-	14.8
SPC 560 X 3	11	3535	560	569.6	85	89	-	2
SPC 560 X 3 — R	12	3525	560	569.6	85	65	10	-
SPC 560 X 4	12	4040	560	569.6	110.5	102	4.3	-
SPC 560 X 4 — R	18	3525	560	569.6	110.5	65	10	-
SPC 560 X 5	12	4545	560	569.6	136	114	11	-
SPC 560 X 5 — R	18	4535	560	569.6	136	89	43	-
SPC 560 X 6	12	5050	560	569.6	161.5	127	17.3	-
SPC 560 X 6 — R	18	4535	560	569.6	161.5	89	43	-
SPC 560 X 8	12	5050	560	569.6	212.5	127	42.8	-
SPC 560 X 8 — R	18	5040	560	569.6	212.5	89	43	-
SPC 560 X 10	12	5050	560	569.6	263.5	127	68.3	-
SPC 560 X 10 — R	12	5040	560	569.6	263.5	102	80.8	-
SPC 560 X 12	12	5050	560	569.6	314.5	127	93.8	-
SPC 630 X 3	11	4040	630	639.6	85	102	-	8.5
SPC 630 X 3 — R	12	4030	630	639.6	85	76	4.5	-
SPC 630 X 4	11	4545	630	639.6	110.5	114	-	1.8
SPC 630 X 4 — R	18	4030	630	639.6	110.5	76	4.5	-
SPC 630 X 5	12	5050	630	639.6	136	127	4.5	-
SPC 630 X 5 — R	18	4535	630	639.6	136	89	36.5	-
SPC 630 X 6	12	5050	630	639.6	161.5	127	17.3	-
SPC 630 X 6 — R	12	4535	630	639.6	161.5	89	36.3	-
SPC 630 X 8	12	5050	630	639.6	212.5	127	42.8	-
SPC 630 X 8 — R	18	4535	630	639.6	212.5	89	36.5	-
SPC 630 X 10	12	5050	630	639.6	263.5	127	68.3	-
SPC 630 X 12	12	5050	630	639.6	314.5	127	93.8	-
SPC 710 X 3	11	4040	710	719.6	85	102	-	-
SPC 710 X 3 — R	12	4030	710	719.6	85	76	4.5	-
SPC 710 X 4	12	4040	710	719.6	110.5	102	4.3	-
SPC 710 X 4 — R	12	4030	710	719.6	110.5	76	17.3	-
SPC 710 X 5	12	5050	710	719.6	136	127	4.5	-
SPC 710 X 5 — R	12	5040	710	719.6	136	102	17	-
SPC 710 X 6	12	5050	710	719.6	161.5	127	17.3	-
SPC 710 X 6 — R	12	5040	710	719.6	161.5	102	29.8	-
SPC 710 X 8	12	5050	710	719.6	212.5	127	42.8	-
SPC 710 X 8 — R	12	5040	710	719.6	212.5	102	55.3	-
SPC 710 X 10	12	5050	710	719.6	263.5	127	68.3	-
SPC 710 X 12	12	5050	710	719.6	314.5	127	93.8	-
SPC 800 X 3	11	4545	800	809.6	85	114	-	14.5
SPC 800 X 3 — R	11	4535	800	809.6	85	89	-	2

SPC - SECTION continued

Part No.	Type	Bush No.	PD (mm)	OD (mm)	Dimensions (mm)			
					F	L	R	P
SPC 800 X 4	11	5050	800	809.6	110.5	127	-	8.3
SPC 800 X 4 — R	12	5040	800	809.6	110.5	102	4.3	-
SPC 800 X 5	12	5050	800	809.6	136	127	4.5	-
SPC 800 X 5 — R	12	5040	800	809.6	136	102	17	-
SPC 800 X 6	12	5050	800	809.6	161.5	127	17.3	-
SPC 800 X 6 — R	12	5040	800	809.6	161.5	102	29.8	-
SPC 800 X 8	12	5050	800	809.6	212.5	127	42.8	-
SPC 800 X 8 — R	12	5040	800	809.6	212.5	102	55.3	-
SPC 800 X 10	12	5050	800	809.6	263.5	127	68.3	-
SPC 800 X 10 — R	12	5040	800	809.6	263.5	102	80.8	-
SPC 800 X 12	12	5050	800	809.6	314.5	127	93.8	-
SPC 1000 X 3	11	5050	1000	1009.6	85	127	-	21
SPC 1000 X 3 — R	11	5040	1000	1009.6	85	102	-	8.5
SPC 1000 X 4	11	5050	1000	1009.6	110.5	127	-	8.3
SPC 1000 X 4 — R	12	5040	1000	1009.6	110.5	102	4.3	-
SPC 1000 X 5	12	5050	1000	1009.6	136	127	4.5	-
SPC 1000 X 5 — R	12	5040	1000	1009.6	136	102	17	-
SPC 1000 X 6	12	5050	1000	1009.6	161.5	127	17.3	-
SPC 1000 X 6 — R	12	5040	1000	1009.6	161.5	102	29.8	-
SPC 1000 X 8	12	5050	1000	1009.6	212.5	127	42.8	-
SPC 1000 X 8 — R	12	5040	1000	1009.6	212.5	102	55.3	-
SPC 1000 X 10	12	5050	1000	1009.6	263.5	127	68.3	-
SPC 1000 X 12	12	6050	1000	1009.6	314.5	127	93.8	-
SPC 1250 X 3	11	5050	1250	1259.6	85	127	-	21
SPC 1250 X 4	11	5050	1250	1259.6	110.5	127	-	8.3
SPC 1250 X 5	12	5050	1250	1259.6	136	127	4.5	-
SPC 1250 X 5 — R	12	5040	1250	1259.6	136	102	17	-
SPC 1250 X 6	12	5050	1250	1259.6	161.5	127	17.3	-
SPC 1250 X 6 — R	12	5040	1250	1259.6	161.5	102	29.8	-
SPC 1250 X 8	12	5050	1250	1259.6	212.5	127	42.8	-
SPC 1250 X 8 — R	12	5040	1250	1259.6	212.5	102	55.3	-
SPC 1250 X 10	12	5050	1250	1259.6	263.5	127	68.3	-



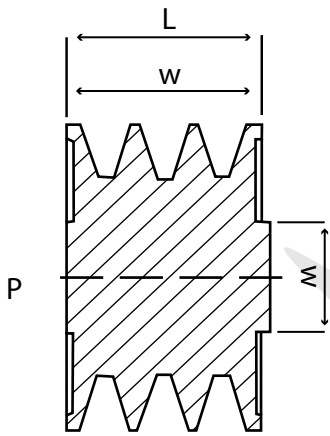
ENGINEERING DATA V-PULLEYS PILOT BORE



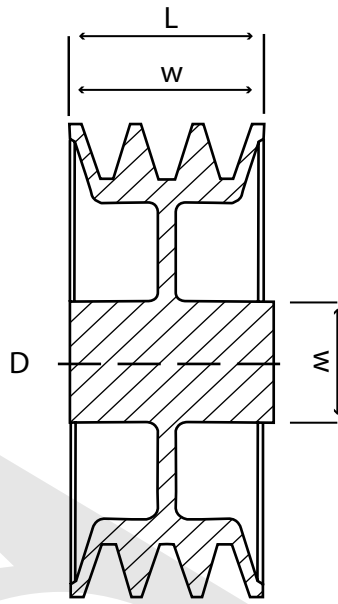
COMPLYING TO DIN 2211

Sections		SPZ (mm)	SPA (mm)	SPB (mm)	SPC (mm)
bw (mm)		8.5	11	14	19
b1 (mm)		9.7	12.7	16.3	22
c (mm)		2	2.8	3.5	4.8
e (mm)		12 ± 0.3	15 ± 0.3	19 ± 0.4	25.5 ± 0.5
f (mm)		8 ± 0.6	10 ± 0.6	12.5 ± 0.8	17 ± 1
t (mm) min.		11	13.8	17.5	C:20 SPC:23.8
α	34° for dw (mm)	≤ 80	≤ 118	≤ 190	≤ 315
	34°	>80	>118	>190	>315
	Tolerance	± 1°	± 1°	± 1°	± 30°
Crown width W for number of grooves Z  (mm)	Z = 1	16	20	25	34
	Z = 2	28	35	44	59.5
	Z = 3	40	50	63	85
	Z = 4	52	65	82	110.5
	Z = 5	64	80	101	136
	Z = 6	76	95	120	161.5
	Z = 7	88	110	139	187
	Z = 8	100	125	158	212.5
	Z = 9	112	140	177	238
	Z = 10	124	155	196	263.5
	Z = 11	136	170	215	289
	Z = 12	148	185	234	314.5
Tolerance di (Z-1) e (mm)		± 0.6	± 0.6	± 0.8	± 1.0

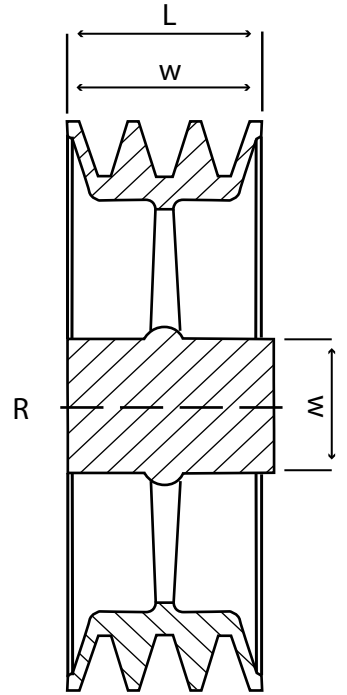
V-PULLEY TYPES PILOT BORE



Solid



Disc



Spoked





## V-PULLEYS PILOT BORE

### Description

Dunlop V-pulleys are manufactured from cast iron EN-GJL-200 UNI EN1561 and are black phosphated according to ISO 4183 and DIN 2211-3 norms. All pulleys are statically balanced for peripheral speeds up to 35 m/sec.

V-Pulleys are available to suit all V & wedge belts cross sections Z, A, B, C, SPZ, SPA, SPB & SPC and are available from stock in both taper and pilot bore options.

Part numbers are identified by 3 letters (e.g. SPA) which represents the belt cross section, a 3 or 4 digit number (e.g. 250) the pulleys pitch diameter and a 1 or 2 digit number (e.g. 3) the number of grooves/belts to be run in the drive, for example SPA250/3.

## SPZ - SECTION

Pitch Diameter dw (mm)	Grooves No.	Type	M (mm)	L (mm)
SPZ 50X1	1	P	32*	28
SPZ 50X2	2	P	35*	35
SPZ 50X3	3	P	35*	44
SPZ 50X4	4	P	35*	56
SPZ 56X1	1	P	32**	28
SPZ 56X2	2	P	40**	35
SPZ 56X3	3	P	42**	44
SPZ 56X4	4	P	42**	56
SPZ 63X1	1	P	40	28
SPZ 63X2	2	P	40	35
SPZ 63X3	3	P	42	44
SPZ 63X4	4	P	42	56
SPZ 71X1	1	P	40	28
SPZ 71X2	2	P	48	35
SPZ 71X3	3	P	50	44
SPZ 71X4	4	P	50	56
SPZ 75X1	1	P	40	28
SPZ 75X2	2	P	50	35
SPZ 75X3	3	P	50	44
SPZ 75X4	4	P	50	56
SPZ 80X1	1	D	40	28
SPZ 80X2	2	P	50	35
SPZ 80X3	3	P	50	44
SPZ 80X4	4	P	65	56
SPZ 80X5	5	P	65	68
SPZ 85X1	1	D	40	28
SPZ 85X2	2	D	50	35
SPZ 85X3	3	P	50	44
SPZ 85X4	4	P	65	56
SPZ 85X5	5	P	65	68
SPZ 90X1	1	D	40	28
SPZ 90X2	2	D	50	35
SPZ 90X3	3	D	50	44

Pitch Diameter dw (mm)	Grooves No.	Type	M (mm)	L (mm)
SPZ 90X4	4	P	65	56
SPZ 90X5	5	P	68	68
SPZ 95X1	1	D	45	28
SPZ 95X2	2	D	50	35
SPZ 95X3	3	D	50	40
SPZ 95X4	4	P	65	56
SPZ 95X5	5	P	68	68
SPZ 100X1	1	D	45	28
SPZ 100X2	2	D	50	35
SPZ 100X3	3	D	50	40
SPZ 100X4	4	P	65	56
SPZ 100X5	5	P	68	68
SPZ 106X1	1	D	45	28
SPZ 106X2	2	D	50	35
SPZ 106X3	3	D	60	40
SPZ 106X4	4	D	65	56
SPZ 106X5	5	D	68	68
SPZ 112X1	1	D	45	28
SPZ 112X2	2	D	50	35
SPZ 112X3	3	D	60	40
SPZ 112X4	4	D	68	52
SPZ 112X5	5	D	68	60
SPZ 118X1	1	D	45	28
SPZ 118X2	2	D	50	35
SPZ 118X3	3	D	60	40
SPZ 118X4	4	D	68	52
SPZ 118X5	5	D	75	60
SPZ 125X1	1	D	45	28
SPZ 125X2	2	D	50	35
SPZ 125X3	3	D	60	40
SPZ 125X4	4	D	68	52
SPZ 125X5	5	D	75	60
SPZ 132X1	1	D	45	28

## SPZ - SECTION continued

Pitch Diameter dw (mm)	Grooves No.	Size fig.	M (mm)	L (mm)
SPZ 132X2	2	D	60	40
SPZ 132X3	3	D	60	40
SPZ 132X4	4	D	68	52
SPZ 132X5	5	D	75	60
SPZ 140X1	1	D	55	28
SPZ 140X2	2	D	60	40
SPZ 140X3	3	D	60	40
SPZ 140X4	4	D	68	52
SPZ 140X5	5	D	75	60
SPZ 150X1	1	D	55	32
SPZ 150X2	2	D	60	40
SPZ 150X3	3	D	68	45
SPZ 150X4	4	D	68	52
SPZ 150X5	5	D	80	60
SPZ 160X1	1	D	55	32
SPZ 160X2	2	D	60	40
SPZ 160X3	3	D	68	45
SPZ 160X4	4	D	68	52
SPZ 160X5	5	D	80	60
SPZ 180X1	1	D	55	32
SPZ 180X2	2	D	65	40
SPZ 180X3	3	D	68	45
SPZ 180X4	4	D	80	52
SPZ 180X5	5	D	80	60
SPZ 200X1	1	D-6F	55	32
SPZ 200X2	2	D-6F	65	40
SPZ 200X3	3	D-6F	68	45
SPZ 200X4	4	D-6F	80	52
SPZ 200X5	5	D-6F	80	60
SPZ 224X1	1	3R	55	32
SPZ 224X2	2	3R	65	40
SPZ 224X3	3	3R	68	45
SPZ 224X4	4	3R	80	52
SPZ 224X5	5	3R	80	60
SPZ 250X1	1	3R	55	32
SPZ 224X2	2	3R	62	40
SPZ 224X3	3	3R	68	45
SPZ 224X4	4	3R	80	52
SPZ 224X5	5	3R	88	60
SPZ 280X1	1	3R	55	45
SPZ 280X2	2	3R	62	45
SPZ 280X3	3	3R	68	50
SPZ 280X4	4	3R	80	52
SPZ 280X5	5	3R	96	60
SPZ 315X1	1	3R	68	45
SPZ 315X2	2	3R	68	45

Pitch Diameter dw (mm)	Grooves No.	Size fig.	M (mm)	L (mm)
SPZ 315X3	3	3R	80	50
SPZ 315X4	4	3R	96	55
SPZ 315X5	5	3R	96	60
SPZ 355X1	1	3R	68	45
SPZ 355X2	2	3R	68	45
SPZ 355X3	3	3R	80	50
SPZ 355X4	4	3R	96	55
SPZ 355X5	5	3R	96	60
SPA 50X1	1	P	32*	35
SPA 50X2	2	P	40*	45
SPA 50X3	3	P	40*	54
SPA 56X1	1	P	35**	35
SPA 56X2	2	P	40**	45
SPA 56X3	3	P	40**	54
SPA 63X1	1	P	40	35
SPA 63X2	2	P	40	45
SPA 63X3	3	P	40	54
SPA 63X4	4	P	40	68
SPA 63X5	5	P	40	84
SPA 71X1	1	P	40	35
SPA 71X2	2	P	50	45
SPA 71X3	3	P	52	54
SPA 71X4	4	P	52	68
SPA 71X5	5	P	52	84
SPA 75X1	1	P	40	35
SPA 75X2	2	P	50	45
SPA 75X3	3	P	52	54
SPA 75X4	4	P	52	68
SPA 75X5	5	P	52	84
SPA 80X1	1	P	45	35
SPA 80X2	2	P	50	45
SPA 80X3	3	P	62	54
SPA 80X4	4	P	62	68
SPA 80X5	5	P	62	84
SPA 85X1	1	D	45	35
SPA 85X2	2	P	50	45
SPA 85X3	3	P	62	54
SPA 85X4	4	P	62	68
SPA 85X5	5	P	62	84
SPA 90X1	1	D	45	35
SPA 90X2	2	P	60	45
SPA 90X3	3	P	62	54
SPA 90X4	4	P	68	68
SPA 90X5	5	P	68	84
SPA 95X1	1	D	45	35
SPA 95X2	2	P	60	45



## SPA - SECTION

Pitch Diameter dw (mm)	Grooves No.	Type	M (mm)	L (mm)
SPA 95X3	3	P	62	54
SPA 95X4	4	P	68	68
SPA 95X5	5	P	68	84
SPA 100X1	1	D	45	35
SPA 100X1	2	P	60	45
SPA 100X1	3	P	62	54
SPA 100X1	4	P	70	50
SPA 100X1	5	P	70	50
SPA 132X1	1	D	55	35
SPA 132X2	2	D	60	45
SPA 132X3	3	D	68	50
SPA 132X4	4	P	68	50
SPA 132X5	5	P	80	50
SPA 140X1	1	D	60	35
SPA 140X2	2	D	60	45
SPA 140X3	3	D	68	50
SPA 140X4	4	P	68	50
SPA 140X5	5	P	80	50
SPA 150X1	1	D	60	40
SPA 150X2	2	D	60	45
SPA 150X3	3	D	68	50
SPA 150X4	4	P	68	50
SPA 150X5	5	P	80	50
SPA 160X1	1	D	60	40
SPA 160X2	2	D	60	45
SPA 160X3	3	D	68	50
SPA 160X4	4	D	80	50
SPA 160X5	5	D	80	50
SPA 170X1	1	D	60	40
SPA 170X2	2	D	60	45
SPA 170X3	3	D	68	50
SPA 170X4	4	D	80	50
SPA 170X5	5	D	80	50
SPA 180X1	1	D	60	40
SPA 180X2	2	D	60	50
SPA 180X3	3	D	68	50
SPA 180X4	4	D	80	60
SPA 180X5	5	D	80	65
SPA 190X1	1	D	65	40
SPA 190X2	2	D	68	50
SPA 190X3	3	D	68	50
SPA 190X4	4	D	80	60
SPA 190X5	5	D	80	65
SPA 200X1	1	D	65	40
SPA 200X2	2	D	68	50
SPA 200X3	3	D	75	50

Pitch Diameter dw (mm)	Grooves No.	Size fig.	M (mm)	L (mm)
SPA 200X4	4	D	88	60
SPA 200X5	5	D	88	65
SPA 224X1	1	D	65	40
SPA 224X2	2	D	68	50
SPA 224X3	3	D	75	50
SPA 224X4	4	D-6F	88	60
SPA 224X5	5	D-6F	88	65
SPA 236X1	1	D	68	40
SPA 236X2	2	D	68	50
SPA 236X3	3	D	75	50
SPA 236X4	4	D-8F	88	60
SPA 236X5	5	D-8F	88	65
SPA 250X1	1	3R	75	50
SPA 250X2	2	3R	75	50
SPA 250X3	3	3R	75	50
SPA 250X4	4	3R	88	60
SPA 250X5	5	3R	96	65
SPA 280X1	1	3R	68	50
SPA 280X2	2	3R	75	50
SPA 280X3	3	3R	75	50
SPA 280X4	4	3R	88	60
SPA 280X5	5	3R	96	65
SPA 300X1	1	3R	75	50
SPA 300X2	2	3R	75	50
SPA 300X3	3	3R	88	60
SPA 300X4	4	3R	88	60
SPA 300X5	5	3R	96	70
SPA 315X1	1	3R	70	48
SPA 315X2	2	3R	75	50
SPA 315X3	3	3R	88	60
SPA 315X4	4	3R	88	60
SPA 315X5	5	3R	96	70
SPA 355X1	1	3R	78	50
SPA 355X2	2	3R	88	60
SPA 355X3	3	3R	88	60
SPA 355X4	4	3R	88	60
SPA 355X5	5	3R	96	70
SPA 400X1	1	6R	78	50
SPA 400X2	2	6R	88	60
SPA 400X3	3	6R	96	65
SPA 400X4	4	6R	96	65
SPA 400X5	5	6R	96	70
SPA 450X2	2	6R	88	60
SPA 450X3	3	6R	96	65
SPA 450X4	4	6R	104	70
SPA 450X5	5	6R	104	70

## SPA - SECTION continued

Pitch Diameter dw (mm)	Grooves No.	Type	M (mm)	L (mm)
SPA 500X2	2	6R	88	60
SPA 500X3	3	6R	96	65
SPA 500X4	4	6R	104	70
SPA 500X5	5	6R	104	70
SPA 560X2	2	6R	88	60
SPA 560X3	3	6R	96	65
SPA 560X4	4	6R	104	70

Pitch Diameter dw (mm)	Grooves No.	Type	M (mm)	L (mm)
SPA 560X5	5	6R	104	70
SPA 630X3	3	6R	104	60
SPA 630X3	4	6R	112	70
SPA 630X3	5	6R	120	75
SPA 800X3	3	6R	128	100
SPA 800X4	4	6R	128	100
SPA 800X5	5	6R	145	110

## SPB - SECTION

Pitch Diameter dw (mm)	Grooves No.	Size fig.	M (mm)	L (mm)
SPB 63X1	1	P	40*	35
SPB 63X2	2	P	40*	48
SPB 71X1	1	P	45**	35
SPB 71X2	2	P	40**	48
SPB 71X3	3	P	40**	67
SPB 75X1	1	P	45	35
SPB 75X2	2	P	45	48
SPB 75X3	3	P	45	67
SPB 80X1	1	P	50	35
SPB 80X2	2	P	50	48
SPB 80X3	3	P	50	67
SPB 80X4	4	P	52	86
SPB 80X5	5	P	58	105
SPB 85X1	1	P	50	35
SPB 85X2	2	P	50	48
SPB 85X3	3	P	52	67
SPB 85X4	4	P	58	86
SPB 85X5	5	P	58	105
SPB 90X1	1	P	50	35
SPB 90X2	2	P	50	48
SPB 90X3	3	P	58	67
SPB 90X4	4	P	65	50
SPB 90X5	5	P	65	50
SPB 95X1	1	P	52	35
SPB 95X2	2	P	55	48
SPB 95X3	3	P	58	67
SPB 95X4	4	P	65	50
SPB 95X5	5	P	65	50
SPB 100X1	1	P	52	35
SPB 100X2	2	P	55	48
SPB 100X3	3	P	58	67
SPB 100X4	4	P	65	50
SPB 60X3	1	P	40*	35
SPB 60X2	2	P	40*	48
SPB 71X1	1	P	45**	35

Pitch Diameter dw (mm)	Grooves No.	Size fig.	M (mm)	L (mm)
SPB 71X2	2	P	40**	48
SPB 71X3	3	P	40**	67
SPB 75X1	1	P	45	35
SPB 75X2	2	P	45	48
SPB 75X3	3	P	45	67
SPB 80X1	1	P	50	35
SPB 80X2	2	P	50	48
SPB 80X3	3	P	50	67
SPB 80X4	4	P	52	86
SPB 80X5	5	P	58	105
SPB 85X1	1	P	50	35
SPB 85X1	2	P	50	48
SPB 85X3	3	P	52	67
SPB 85X4	4	P	58	86
SPB 85X5	5	P	58	105
SPB 90X1	1	P	50	35
SPB 90X2	2	P	50	48
SPB 90X3	3	P	58	67
SPB 90X4	4	P	65	50
SPB 90X5	5	P	65	50
SPB 95X1	1	P	52	35
SPB 95X2	2	P	55	48
SPB 95X3	3	P	58	67
SPB 95X4	4	P	65	50
SPB 95X5	5	P	65	50
SPB 100X1	1	P	52	35
SPB 100X2	2	P	55	48
SPB 100X3	3	P	58	67
SPB 100X4	4	P	65	50
SPB 100X5	5	P	65	50
SPB 106X1	1	D	50	35
SPB 106X2	2	D	55	48
SPB 106X3	3	P	65	50
SPB 106X4	4	P	65	50
SPB 106X5	5	P	67	50

## SPB - SECTION continued

Pitch Diameter dw (mm)	Grooves No.	Size fig.	M (mm)	L (mm)
SPB 112X1	1	D	55	35
SPB 112X2	2	D	60	48
SPB 112X3	3	P	65	50
SPB 112X4	4	P	75	50
SPB 112X5	5	P	75	50
SPB 118X1	1	D	55	35
SPB 118X2	2	D	60	48
SPB 118X3	3	P	75	50
SPB 118X4	4	P	75	50
SPB 118X5	5	P	75	50
SPB 125X1	1	D		35
SPB 125X2	2	D		48
SPB 125X3	3	D		50
SPB 125X4	4	D		50
SPB 125X5	5	D	75	50
SPB 125X6	6	P	80	60
SPB 132X1	1	D	60	35
SPB 132X2	2	D	60	50
SPB 132X3	3	D	75	50
SPB 132X4	4	D	80	50
SPB 132X5	5	D	80	60
SPB 132X6	6	D	80	60
SPB 140X1	1	D	60	35
SPB 140X2	2	D	65	50
SPB 140X3	3	D	75	50
SPB 140X4	4	D	80	50
SPB 140X5	5	D	80	60
SPB 140X6	6	D	80	60
SPB 150X1	1	D	60	40
SPB 150X2	2	D	65	50
SPB 150X3	3	D	75	50
SPB 150X4	4	D	80	50
SPB 150X5	5	D	80	60
SPB 150X6	6	D	80	60
SPB 160X1	1	D	65	40
SPB 160X2	2	D	68	50
SPB 160X3	3	D	80	50
SPB 160X4	4	D	88	60
SPB 160X5	5	D	88	60
SPB 160X6	6	D	88	65
SPB 170X1	1	D	65	40
SPB 170X2	2	D	68	50
SPB 170X3	3	D	80	50
SPB 170X4	4	D	88	60
SPB 170X5	5	D	88	60
SPB 170X6	6	D	104	65

Pitch Diameter dw (mm)	Grooves No.	Size fig.	M (mm)	L (mm)
SPB 180X1	1	D	65	35
SPB 180X2	2	D	68	48
SPB 180X3	3	D	80	50
SPB 180X4	4	D	88	50
SPB 180X5	5	D	88	50
SPB 180X6	6	D	104	70
SPB 190X1	1	D	65	40
SPB 190X2	2	D	68	50
SPB 190X3	3	D	80	50
SPB 190X4	4	D	88	60
SPB 190X5	5	D	88	70
SPB 190X6	6	D	104	70
SPB 200X1	1	D	68	40
SPB 200X2	2	D	68	50
SPB 200X3	3	D	80	50
SPB 200X4	4	D	88	60
SPB 200X5	5	D	88	70
SPB 200X6	6	D	104	80
SPB 212X1	1	D	68	45
SPB 212X2	2	D	68	50
SPB 212X3	3	D	80	50
SPB 212X4	4	D	88	60
SPB 212X5	5	D	88	40
SPB 212X6	6	D	104	80
SPB 224X1	1	D	68	45
SPB 224X2	2	D	75	50
SPB 224X3	3	D	80	50
SPB 224X4	4	D	88	60
SPB 224X5	5	D	96	70
SPB 224X6	6	D	104	80
SPB 236X1	1	D	68	45
SPB 236X2	2	D	75	50
SPB 236X3	3	D	80	60
SPB 236X4	4	D	88	65
SPB 236X5	5	D	96	75
SPB 236X6	6	D	104	80
SPB 250X1	1	3R	75	45
SPB 250X2	2	3R	75	50
SPB 250X3	3	3R	88	60
SPB 250X4	4	3R	96	65
SPB 250X5	5	D-6F	104	75
SPB 250X6	6	D-6F	104	80
SPB 280X1	1	3R	75	45
SPB 280X2	2	3R	75	50
SPB 280X3	3	3R	88	60
SPB 280X4	4	3R	96	65

**SPB - SECTION continued**

Pitch Diameter dw (mm)	Grooves No.	Size fig.	M (mm)	L (mm)
SPB 280X5	5	3R	104	75
SPB 280X6	6	3R	104	80
SPB 300X1	1	3R	75	50
SPB 300X2	2	3R	80	50
SPB 300X3	3	3R	88	60
SPB 300X4	4	3R	96	65
SPB 300X5	5	3R	104	75
SPB 300X6	6	3R	104	80
SPB 315X2	2	3R	88	60
SPB 315X3	3	3R	88	60
SPB 315X4	4	3R	96	65
SPB 315X5	5	3R	104	75
SPB 315X6	6	3R	120	90
SPB 355X2	2	3R	88	60
SPB 355X3	3	3R	96	60
SPB 355X4	4	3R	96	65
SPB 355X5	5	3R	104	75
SPB 355X6	6	3R	120	90
SPB 400X2	2	6R	88	60

Pitch Diameter dw (mm)	Grooves No.	Size fig.	M (mm)	L (mm)
SPB 400X3	3	6R	96	65
SPB 400X4	4	6R	104	75
SPB 400X5	5	6R	112	85
SPB 400X6	6	6R	120	100
SPB 450X2	2	6R	88	60
SPB 450X3	3	6R	96	65
SPB 450X4	4	6R	104	75
SPB 450X5	5	6R	112	85
SPB 450X6	6	6R	120	100
SPB 500X2	2	6R	96	65
SPB 500X3	3	6R	104	75
SPB 500X4	4	6R	112	85
SPB 500X5	5	6R	120	90
SPB 500X6	6	6R	128	105
SPB 560X2	2	6R	96	65
SPB 560X2	3	6R	104	75
SPB 560X2	4	6R	112	85
SPB 560X2	5	6R	120	90
SPB 560X2	6	6R	128	105



## **Dunlop BTL Ltd**

European Distribution Centre  
MPT House  
Brunswick Road  
Cobbs Wood Industrial Estate  
Ashford, Kent. UK  
TN23 1EL

### **Contact us**

-  +44 (0)1233 663340
-  +44 (0)1233 664440
-  [sales@dunlopctl.com](mailto:sales@dunlopctl.com)
-  [www.dunlopctl.com](http://www.dunlopctl.com)

### **Manufacturing Facilities**

UNITED KINGDOM  
FRANCE  
GERMANY  
ITALY  
SPAIN  
POLAND  
CZECH REPUBLIC  
SLOVAKIA  
SERBIA  
CHINA  
USA



TRANSMISSIONS

DUNLOP BTL Ltd, MPT House, Brunswick Road, Cobbs Wood Industrial Estate, Ashford, Kent TN23 1EL, UK  
T: +44 (0)1233 663340 • F: +44 (0)1233 664440 • E: [sales@dunlopctl.com](mailto:sales@dunlopctl.com) • W: [www.dunlopctl.com](http://www.dunlopctl.com)

DUNLOP™ and the Flying D device™ are used under licence by DUNLOP BTL Ltd.