



*Timken SURVIVOR® PT polymer housed units offer an outstanding package of features for optimum corrosion resistance in harsh operating environments.*

- Meets government food processing requirements
- Leading choice for corrosion protection
- Fafnir TDC ball bearing insert
- Polymer housing exceeds bearing static capacity

# TIMKEN®

## High-Performance Polymer Ball Bearing Housed Units

Corrosion-resistant bearing units with a unique polymer housing provide superior performance and full protection in harsh environments.

Timken's patented SURVIVOR®PT ball bearing housed units are specifically designed to offer optimum corrosion resistance for food processing and other demanding applications. The advanced polymer housing and special bearing insert form an unmatched performance package that withstands a wide range of common corrosives and contaminants.

The integral corrosion-proof qualities of the strong housing polymer cannot scrape or flake off during operation. Outstanding corrosion protection is also provided by the Timken FAFNIR TDC® ball bearing insert. This proprietary thin, dense-chrome bearing coating uses proven technology to set new standards.

All other SURVIVOR PT bearing components are stainless steel, synthetic rubber or nylon. In addition, the bearings are prelubricated with a food-grade grease. This premium unit expands the value of the unique SURVIVOR line of corrosion-resistant bearings.

### **SURVIVOR PT Unit Benefits**

Advanced polymer housing – more durable than nylon or coatings, strong polymer material provides lasting protection with high load capacity. Integral anti-corrosion properties cannot scrape or flake off. Polymer resists a broad range of acids and alkalis, as well as steam and continuous temperature up to 250°F/120°C (and brief exposure up to 320°F/160°C).

Superior bearing insert – FAFNIR TDC® thin, dense-chrome coating will not crack or peel under known application conditions, providing proven bearing corrosion resistance. Full width bearing offers greater grease storage and shaft support than narrow designs.

Longer life – polymer housing and TDC coating resist premature failure under corrosive conditions.

High capacity – polymer strength exceeds static capacity of bearing. Housing retains proper bearing fit and resists shock loads.

Proven performance – SURVIVOR PT units performed reliably in field wash-down tests, with no visible corrosion in either housing or bearing insert.

Government requirements – all materials, including lubricant, comply with all applicable federal food processing requirements.

### **Applications**

- Food processing plants
- Beverage plants
- Dairy industries
- Refrigeration plants
- Food packaging
- Conveyors
- Harvesting equipment
- Chemical & rubber processing
- Pharmaceutical industries
- Paper mills
- Highway salt & sand trucks
- Car washes
- Material handling
- Maritime applications

## Applications

Originally developed to meet strict government standards and other food processing requirements, Survivor™PT units are a dependable solution for applications where resistance to corrosion and contamination is critical. Polymer units can solve difficult bearing problems from the food and beverage industries to paper mills, material handling, HVAC and maritime installations.

## Unit Design

SURVIVOR PT housings are virtually corrosion proof. With a material

strength exceeding bearing static capacity, the lightweight polymer is highly impact resistant. It is dimensionally stable under load for exceptional long-term creep resistance. The bearing insert's FAFNIR TDC® coating will not crack or peel under known application conditions, providing proven reliability in harsh environments.

## Ordering Information

*SURVIVOR PT housed units are currently available in popular shaft sizes (from 3/4 to 1-1/2 inches and 20 to 40mm) and both setscrew and locking collar designs.*

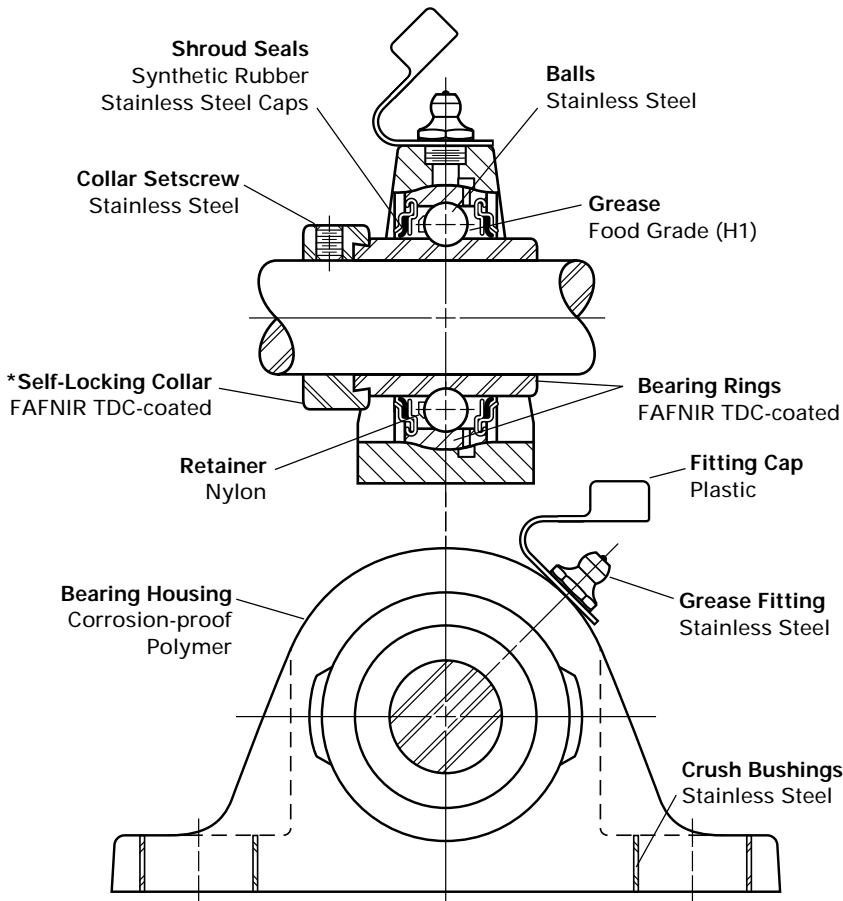
To order a SURVIVOR polymer unit, simply add the suffix "PT" after the standard bearing designation, i.e., YAS 1-PT. Orders may be placed through any Timken sales office or authorized distributor branch throughout North America.



*All bearing components have been carefully selected for their corrosion-resistant properties.*



*The SURVIVOR PT series is available in a variety of housing designs.*



\*Also available in full-width setscrew locking-type Y-Series units.

For your nearest Timken sales representative, call (800) 223-1954. Outside the U.S. and Canada, call (330) 438-3000.

Timken US Corporation is a Timken Company subsidiary. Timken®, Survivor® and Fafnir® are registered trademarks of The Timken Company. [www.timken.com](http://www.timken.com)

© 2003 The Timken Company  
Printed in U.S.A.  
5M-6-03-06 Order No. 5766 (formerly Torrington No. 666)

# TIMKEN

WORLDWIDE LEADER IN BEARINGS AND STEEL