



St. Modwen Road  
Parkway Industrial Estate  
Plymouth Devon  
PL6 8LH  
United Kingdom

Tel: +44 (1752) 676000  
Fax: +44 (1752) 676001

[www.interlubesystems.co.uk](http://www.interlubesystems.co.uk)

### Chain Lubrication System Requirements Form

Please Save Form and Return to: [info@interlubesystems.co.uk](mailto:info@interlubesystems.co.uk)

#### Contact Details

Full Name : \_\_\_\_\_ Company / Position : \_\_\_\_\_

Address : \_\_\_\_\_

\_\_\_\_\_

Contact Number : \_\_\_\_\_ E-mail Address : \_\_\_\_\_

#### Chain Lubrication Requirements

Chain Manufacturer : \_\_\_\_\_ Part Number : \_\_\_\_\_

Is a Lubrication System Required? : YES NO Is Air Available : YES NO

Number of Chains To Lubricate : \_\_\_\_\_ Distance Between Chains : \_\_\_\_\_

Reservoir Size Required (Litres) : 3 6 Voltage Available : \_\_\_\_\_

Lubricant to be Used : \_\_\_\_\_ Lubrication Schedule : \_\_\_\_\_

What are the Working Conditions? :  
(include Temperature if known) \_\_\_\_\_

How far away will the Lubrication  
Pump be from the Chain? : \_\_\_\_\_


#### Specific Requirements

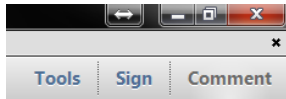
**Please Try To Attach Images and Specify Your Chains on the Next Page**

## Chain Lubrication System Requirements Form

Please Save Form and Return to: [info@interlubesystems.co.uk](mailto:info@interlubesystems.co.uk)

### Pictures

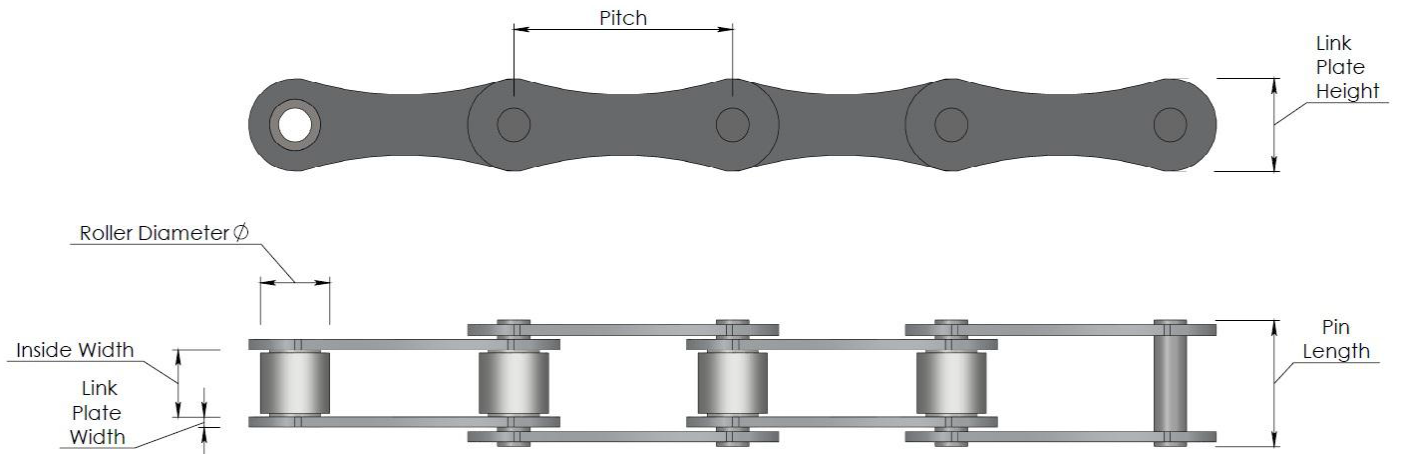
(Using Adobe Reader, Attach Files and Pictures Using The Attach File Button :  , This Button is found under the "Comment" Tab Shown Here: )



Please Add Any Pictures of the Machine in this Area :

### Chain Specifications

Specification of Chain to be Lubricated :



| Pitch | Inside Width | Roller Diameter | Chain Temperature | Chain Speed | Link Plate Height | Link Plate Width | Pin Length |
|-------|--------------|-----------------|-------------------|-------------|-------------------|------------------|------------|
|       |              |                 |                   |             |                   |                  |            |
|       |              |                 |                   |             |                   |                  |            |
|       |              |                 |                   |             |                   |                  |            |
|       |              |                 |                   |             |                   |                  |            |